

## Survive-All™ SVX-HZ Series

Class I Division 2, Groups A, B, C and D, hazardous location exit sign



### Construction

- Fully gasketed housing frame
- Faceplate: heavy-duty, vandal-resistant polycarbonate
- Backplate: heavy-duty aluminum
- Stainless steel tamper-proof screws
- 6 inch EXIT lettering legend, available in red or green
- Field-selectable chevrons

### Mounting

- Surface mount
- Junction box included for wall, end or ceiling mount applications
- 1/2 inch conduit knock-out entry on top and sides.

### Special wording panels

- Available. Contact your sales representative with your design requirements

### Electronics

- Magnetic test switch
- Standard **Advanced Diagnostics (non-audible)**
- Optional Nexus® monitoring system
- 120 to 277 60Hz
- Compatible with Emergi-Lite® Mini Inverters (contact your sales representative for more information)
- Optional Nexus®Pro IoT monitoring system

### Approvals

- CSA-US (To UL 924 Standard)
- Evaluated to the UL 844 Standard for Class I Division 2, Groups A, B, C and D
- NEC, OSHA and NEMA compliant for above Classes and Groups
- Self-powered model damp and wet location (50°F to 104°F)
- AC/DC model (-40°F to 104°F)
- Meets NFPA101 (Life Safety Code), NFPA 70-NEC and OSHA illumination standards
- E – California Energy Commission Title 20

### Warranty

- Five year limited warranty
- Detailed warranty terms located online at:  
[www.emergi-lite.com/usa/files/el\\_warranty.pdf](http://www.emergi-lite.com/usa/files/el_warranty.pdf)

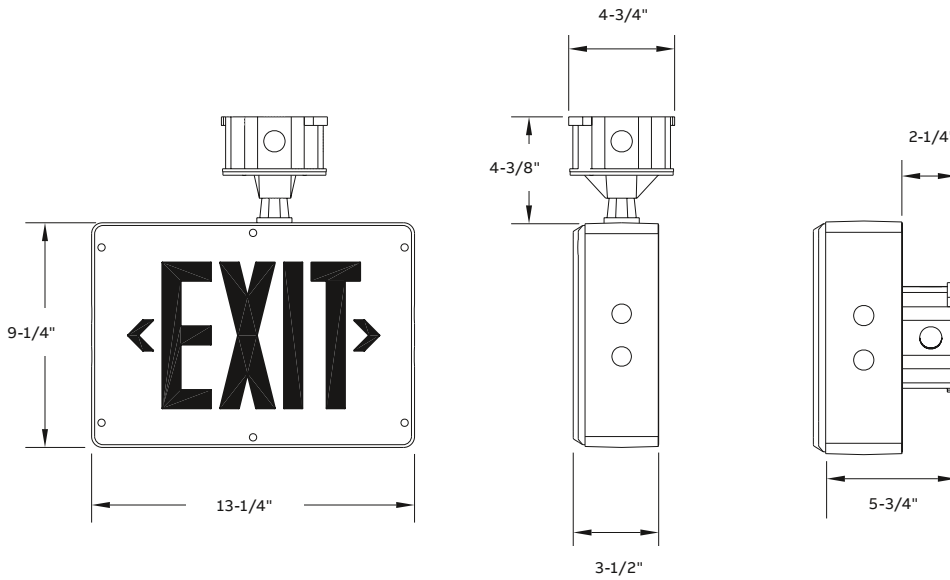
### Power consumption<sup>1</sup>

Model	AC specs		DC specs	
AC/DC-only red	120 to 277VAC, 60Hz	Less than 2W	6-24 VDC	–
AC/DC-only green	120 to 277VAC, 60Hz	Less than 1.5W	6-24 VDC	–
Self-powered red	120 to 277VAC, 60Hz	Less than 2W	Ni-Cd battery	Min. 90 minutes
Self-powered green	120 to 277VAC, 60Hz	Less than 2.5W	Ni-Cd battery	Min. 90 minutes

<sup>1</sup>Cold-weather option does not consume additional power

**Dimensions**

Dimensions are approximate and subject to change.



**Accessories** (order as a separate item)

Description	Part number
Tamper-proof bit (extra)	690.0454-E
Convert single to double face, red <sup>1</sup>	DFKR-GY
Convert single face to double face, green <sup>1</sup>	DFKG-GY

<sup>1</sup>In the field

**How to order**

Color of body/face	Series	Face	Legend	Diagnostic	Options
<b>GG</b> = Gray/gray	<b>SVXHZ</b> = AC/DC only <b>SVXNHZ</b> = Self-powered Ni-Cd	<b>1</b> = Single (ceiling/wall mount) <b>2</b> = Double (ceiling mount only)	<b>R</b> = Red <b>G</b> = Green	<b>Blank</b> = AC/DC models <b>-D</b> = Diagnostic (self-powered only & <b>non-audible</b> ) <b>-NEXP</b> = Nexus®Pro IoT wireless <sup>1</sup> <b>-NEXRF</b> = Nexus® wireless <sup>1</sup>	<b>CW</b> = Cold weather (-40°F to 104°F) <sup>1</sup>

**Example: GGSVXNHZ2R-DCW**

<sup>1</sup>Self-powered model