

## Survive-All™ SVX Series

NEMA-4X, vandal resistant and harsh environment exit sign



### Construction

- Full gasketed NEMA-4X housing
- Frame: polyvinyl chloride enclosure, fully gasketed around the lens, backplate and canopy to prevent water infiltration
- Faceplate: heavy-duty, vandal-resistant polycarbonate
- Backplate: heavy aluminum
- Comes with both Phillips head for NSF location and tamper-proof screws
- 6 inch EXIT lettering legend, available in red or green
- Field-selectable chevrons
- Choice of finishes: black, white, gray or brushed aluminum

### Mounting

- Surface mount
- Ceiling and wall mount are NEMA-4X
- End and pendant mount are not NEMA-4X
- Canopy included for end or ceiling mount applications
- Universal J-box mounting
- 1/2 inch conduit entry on top and sides

### Special wording panels

- Available. Contact your sales representative with your design requirements

### Electronics

- Magnetically operated test switch
- Standard Advanced Diagnostics (non-audible)
- Optional Nexus®Pro IoT monitoring system
- Optional Nexus® wireless monitoring system
- 120/277 60Hz
- Compatible with Emergi-Lite mini-inverters (contact your sales representative for more information)

### Approvals

- UL 924 listed
- UL listed for wet and damp location self powered (50°F to 104°F), AC and AC/DC (-40°F to 104°F)
- Self powered model UL listed for cold weather option (-4°F to +104°F)
- Meets NFPA101 (Life Safety Code), NFPA 70 NEC, OSHA illumination standards
- E-California Energy Commission Title 20

### Warranty

- Five-year limited warranty
- Detailed warranty terms located on page 202 or online at: [www.emergi-lite.com/usa/files/EL\\_Warranty.pdf](http://www.emergi-lite.com/usa/files/EL_Warranty.pdf)

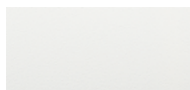
### Power consumption

Model	AC specs	DC specs
AC-only	120-277VAC, 50/60Hz (1.2W)	-
AC/DC	120-277VAC, 50/60Hz (1.2W)	6 to 24VDC (less than 1.5W)
Self-powered	120-277VAC, 50/60Hz (3.7W)	Ni-Cd battery (min. 90 minutes)

### Housing color



Black



White



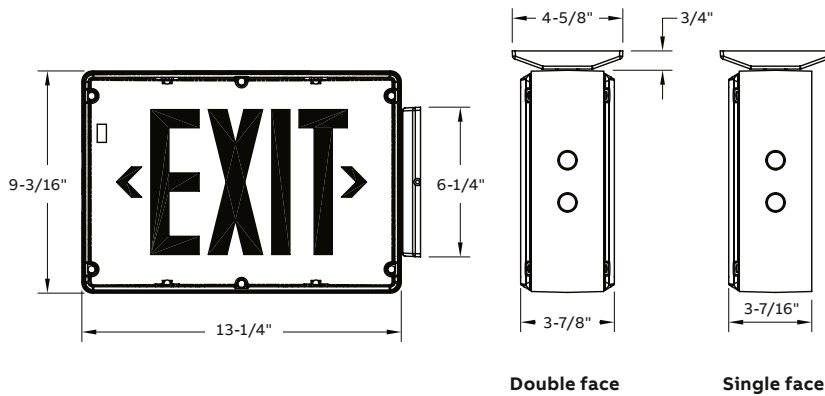
Gray



Brushed aluminum

**Dimensions**

Dimensions are approximate and subject to change.



**Accessories** (order as a separate item)

Description	Part number
Tamper-proof bit	690.0454-E
Convert single to double face, red	DFKR <sup>1</sup>
Convert single face to double face, green	DFKG <sup>1</sup>
Additional test magnet	199.0133-E

<sup>1</sup>Colors available AL-BK-WT

**How to order**

Housing color	Series	Face	Legend	Charger type
<b>BB</b> = Black/black	<b>SVX</b> = AC only	<b>1</b> = Single	<b>R</b> = Red	<b>Blank</b> = AC only
<b>BW</b> = Black/white	<b>SVXN</b> = Self-powered Ni-Cd	<b>2</b> = Double	<b>G</b> = Green	<b>-D</b> = Diagnostic <sup>1</sup>
<b>BA</b> = Black/aluminum				<b>-NEXP</b> = Nexus <sup>®</sup> Pro IoT <sup>1</sup>
<b>GB</b> = Gray/black				<b>-NEXRF</b> = Nexus <sup>®</sup> wireless <sup>1</sup>
<b>GW</b> = Gray/white				
<b>GA</b> = Gray/aluminum				
<b>WB</b> = White/black				
<b>WW</b> = White/white				
<b>WA</b> = White/aluminum				

Housing	Options
<b>-4X</b> = Wet/damp locations	<b>Blank</b> = No options
	<b>-2CKT</b> = Dual circuit (AC only) <sup>2</sup>
	<b>-CW</b> = Cold weather (Self-powered -4°F to 104°F) <sup>4</sup>
	<b>-CM</b> = Canopy pendant mount <sup>5</sup>
	<b>-DC</b> = 6 to 24VDC <sup>3</sup>
	<b>-FA</b> = Fire alarm activated flasher <sup>2</sup>
	<b>-FL</b> = Flasher only <sup>2</sup>
	<b>-FZ</b> = Flasher/buzzer (self-powered only) <sup>2</sup>

**Example: BBSVXN1R-D-4X-FA**

<sup>1</sup>Available with self-powered models only

<sup>2</sup>Not available with Nexus<sup>®</sup> option

<sup>3</sup>Not available with self-power

<sup>4</sup>Not required with AC model