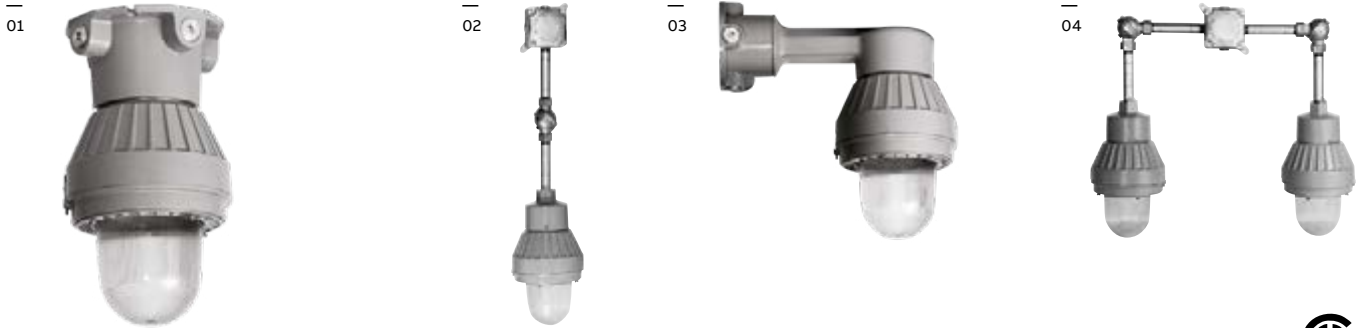


## EFEP Series

### Explosion proof LED remote unit



#### Description

- MR16 LED light source
- Available as wall ceiling or pendant mount
- Heavy cast aluminum
- Pyrex® lenses<sup>1</sup>

#### Finish

- Painted grey

#### Mounting

- Surface mount: wall or ceiling
- Pendant mount: single head or double head
- Pendant mount including hazardous location elbows, swivels and conduit extension pipe (6" increments)
- Combination hazardous location junction box/mounting plate with 1/2" NPT conduit entry

#### Approvals

- CSA US (to UL 924 standards)
- Class I, Division 1&2, Groups C and D
- Class II, Division 1&2, Groups E, F and G
- Class III, Division 1&2, (150W max)
- Complies with NEC, OSHA and NEMA for above classes and groups
- Suitable for wet and damp location
- Temperature code T6

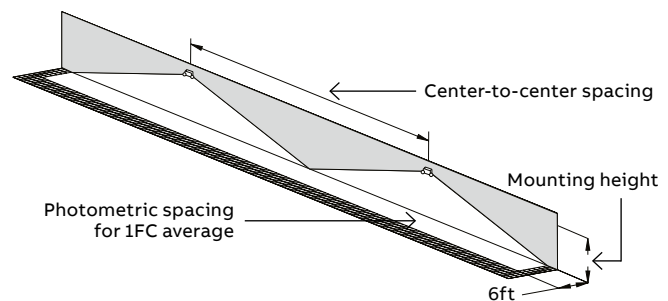
#### Warranty

- Unit has a five-year limited warranty
- Detailed warranty terms located on page 202 or online at:  
[www.emergi-lite.com/usa/files/EL\\_Warranty.pdf](http://www.emergi-lite.com/usa/files/EL_Warranty.pdf)

<sup>1</sup>Pyrex® is a registered trademark of Corning Glass.

#### Photometric performance - with two lamps

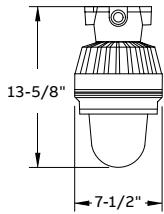
Lamp	Spacing center-to-center (feet)	
	7' mounting height	15' mounting height
2 x LA	43'	29'
2 x LB	70'	39'
2 x LG	55'	36'
2 x LI	67'	41'
2 x LJ	87'	62'
2 x LL	56'	29'
2 x LV	58'	39'



**Dimensions**

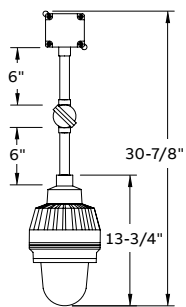
Dimensions are approximate and subject to change.

**Ceiling mount**



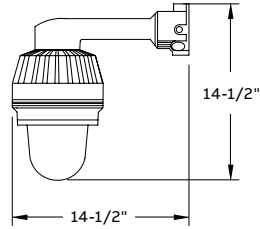
—  
01  
EFEPC  
Ceiling mount 11 lbs.

**Pendant mount**



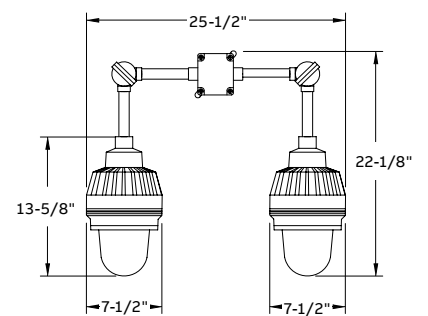
—  
02  
EFEPP  
Pendant mount  
with hanger box &  
pendant 14 lbs.

**Wall mount**



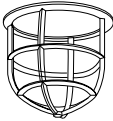


—  
03  
EFEPW  
Wall bracket  
mount 14 lbs.

**Double pendant mount**



—  
04  
EFEP1 – Single 12 lbs.  
EFEP2 – Double 21 lbs.  
EFEP3 – Triple 30 lbs.

**Standard configurations for EXC Series**

Unit	Description	Suffix
	<b>Guard</b> One-piece aluminum casting construction, attaches to globe holder ring with four screws	GXP
	<b>Dome Reflector</b> Highly reflective white finish inside and out, attaches to globe holder ring with four screws	RD
	<b>Angle Reflector</b> Highly reflective white finish inside and out, attaches to globe holder ring with four screws	RA

**How to order**

Series	Mounting	No. of lamps	Lamp type/wattage
EFEP= X-proof LED remote	C= Ceiling mount P= Pendant W= Wall mount D= Double pendant mount	2= 2 lamps per head	LA= 6V-4W, MR16 LED LB= 6V-5W, MR16 LED LG= 12V-4W, MR16 LED LI= 12V-5W, MR16 LED LJ= 12V-6W, MR16 LED LL= 24V-4W, MR16 LED LV= 120V-4W, GU10 LED

Example: EFEP(CHB)-GXP