

ELMM Series

Mullion mount LED fixture

Housing

- Extruded aluminum enclosure
- UV-resistant silver powder-coated paint
- Lamp head can be adjusted and fixed at angles from 0° to 180°

Mounting

- Ceiling, surface, and wall mount
- Waterproof junction box included
- Indoor/outdoor; suitable for wet locations
- Maximum mounting height: 10 feet from floor

Electrical

- Dual-function fixture: normally ON or emergency operation (-SP option required for emergency mode, see next page)

- **AC Mode:** 120-277 VAC, 60Hz
- **DC Mode:** 6-24 VDC
- **AC power consumption:** 11W
- **DC Power Consumption:** 8.5W
- **Color temperature:** 4000K
- **Performance:**
 - AC Mode:** 1000 lumens
 - DC Mode:** 900 lumens

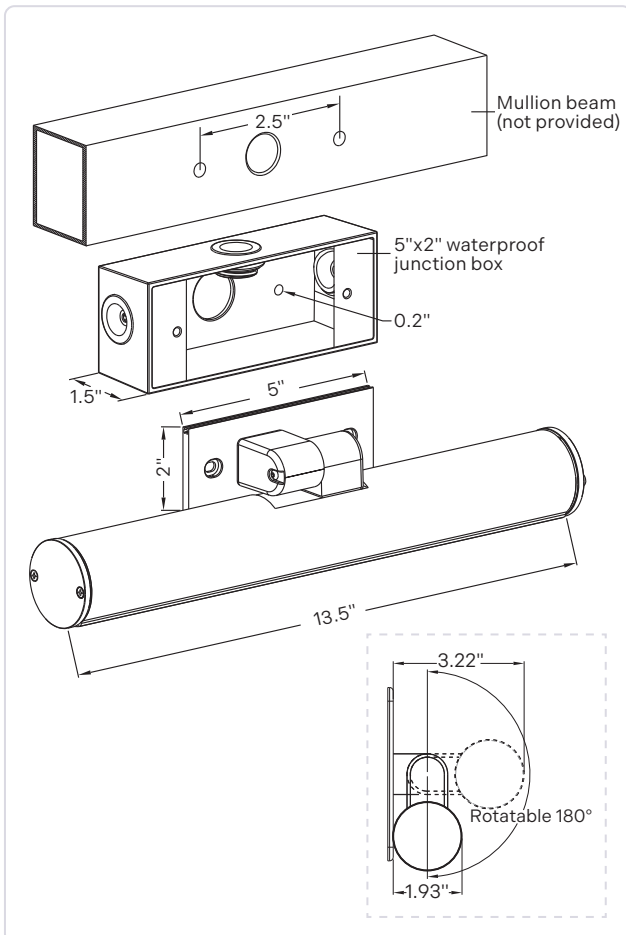
Approvals

- cULus listed
- IP66 rated
- IK10 rated
- Wet location -22°F to 122°F (-30°C to 50°C)

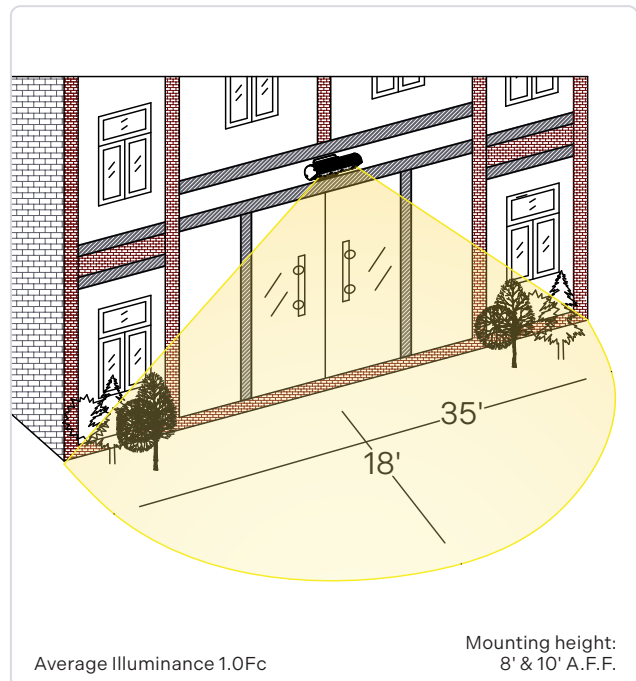


Dimensions

Dimensions are approximate and subject to change.



Photometric performance



ELMM Series (continued)

External Emergency Power Supply (included with luminaire in **-SP** option)



Housing

- Extruded aluminum housing
- UV-resistant silver powder-coated paint
- Button and LED indicator on exterior faceplate for manual testing of the mullion mount in emergency mode

Mounting

- Direct mounting into 3 gang masonry or 3 gang cable box (not included)
- **Remote Mount:**
26ft from luminaire, with 16 gauge wire
20ft from luminaire, with 18 gauge wire
- For indoor use only



Electrical

- **AC Input:** 120-277 VAC, 60Hz, 6W (17W with luminaire)
- **DC Output:** 6-24 VDC Max 1.5A
- Overload/short circuit protection
- LiFePO4 battery

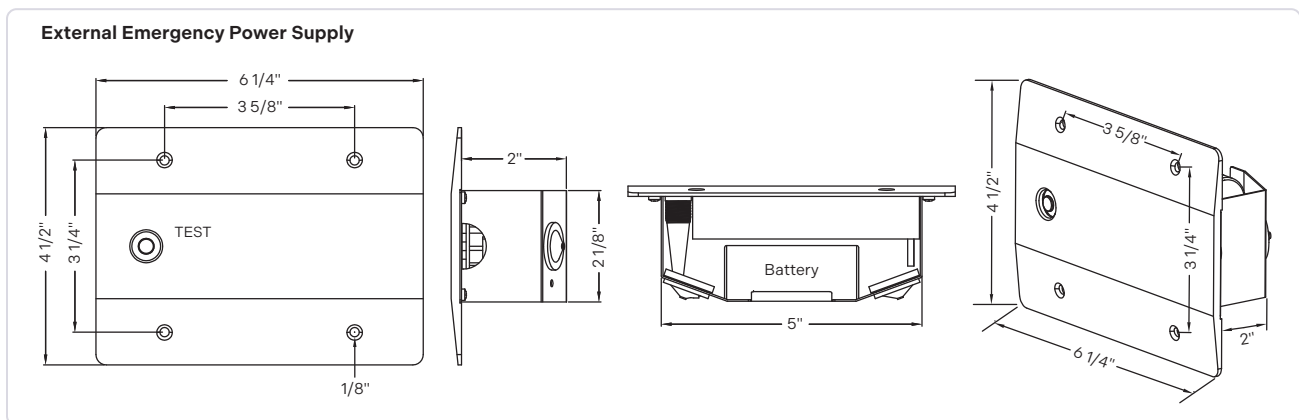
Approvals (for EM Power Supply only)

- UL 924 listed
- Damp location 41°F to 122°F (5°C to 50°C)



Dimensions

Dimensions are approximate and subject to change.



How to order

Series	Options	Color
ELMM = Mullion mount LED fixture	-ACDC = 120-277 VAC 60Hz and 6-24 VDC -SP = With remotely-mounted emergency power supply	Blank = Aluminum B = Black BZ = Dark bronze W = White