

**New product**

## N3B Series

### Compact wet location LED battery unit



#### Housing

- Thermoplastic housing
- Standard off-white finish

#### Mounting

- End mount
- Wall mount
- Universal J-box mounting
- Canopy included

#### Type of battery

- NI-MH Battery 3.6V 1500mAH

#### Lamp head source

- 1W white LED, 100 lumens

#### Electronics

- 120/277V, 50/60Hz
- Test switch and charge indicator

#### Approvals

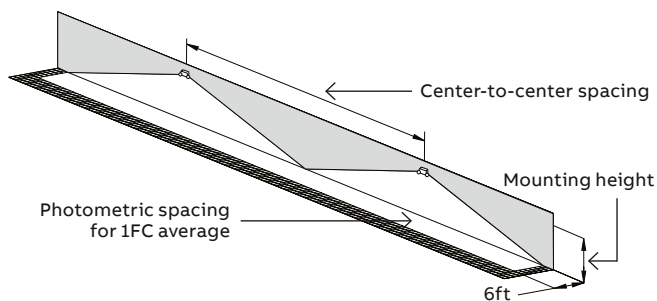
- UL 924 listed
- Wet location -13°F to 104°F (-25°C to 40°C)
- UL 94 V-0 flame rating, fire-resistant
- IP65 rated
- Meets NEMA 3R specifications

#### Warranty (subject to proper installation and maintenance)

- Unit has a three year limited warranty
- Detailed warranty terms located at:  
[www.emergi-lite.com/usa/files/EL\\_Warranty.pdf](http://www.emergi-lite.com/usa/files/EL_Warranty.pdf)

#### Photometric performance

Spacing center-to-center (feet)	
7' mounting height	15' mounting height
34.5'	28.25'

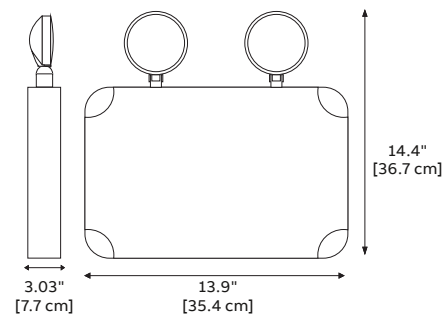


#### Power consumption

Model	Current (A) / Power (W)
N3B-2	120/277VAC, 60Hz 0.062/3

#### Dimensions

Dimensions are approximate and subject to change.



#### How to order

Series	Lamp
N3B= Battery unit	-2= 2 LED heads
<b>Example: N3B-2</b>	