

New product

N3B Series

Compact wet location LED battery unit



Housing

- Thermoplastic housing
- Standard off-white finish

Mounting

- End mount
- Wall mount
- Universal J-box mounting
- Canopy included

Type of battery

- NI-MH Battery 3.6V 1500mAH

Lamp head source

- 1W white LED, 100 lumens

Electronics

- 120/277V, 50/60Hz
- Test switch and charge indicator

Approvals

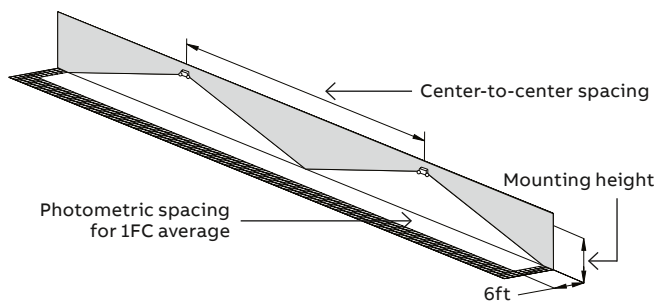
- UL 924 listed
- Wet location -13°F to 104°F (-25°C to 40°C)
- UL-94V-0 flame rating, fire-resistant
- Meets IP65 rating
- Meets NEMA-3R rating

Warranty (subject to proper installation and maintenance)

- Unit has a three year limited warranty
- Detailed warranty terms located at:
www.emergi-lite.com/usa/files/EL_Warranty.pdf

Photometric performance

Spacing center-to-center (feet)	
7' mounting height	15' mounting height
34.5'	28.25'

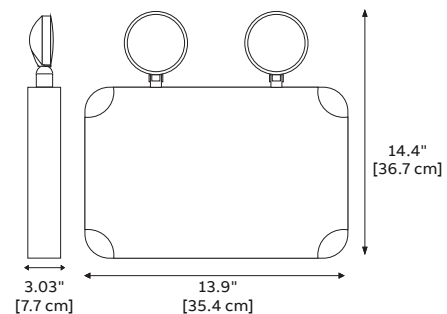


Power consumption

Model	Current (A) / Power (W)
N3B-2	0.062/3

Dimensions

Dimensions are approximate and subject to change.



How to order

Series	Lamp
N3B= Battery unit	-2= 2 LED heads
Example: N3B-2	