

New product

## RA Series

### Recessed architectural battery unit



#### Construction

- Thermoplastic rectangular fixture with additional round trim-plate, white finish
- All-metal backbox enclosure
- Optional black finish
- Fixed optics, optimized light distribution for ceiling heights up to 12 ft
- Four high-intensity LEDs with redundant connections; 140 lm/W, CCT 5000K

#### Options

- Standard unit 680 lumens
- Square distribution unit 717 lumens
- Plenum-rated enclosure
- Fixed, square distribution pattern up to 12 ft. ceilings

#### Mounting

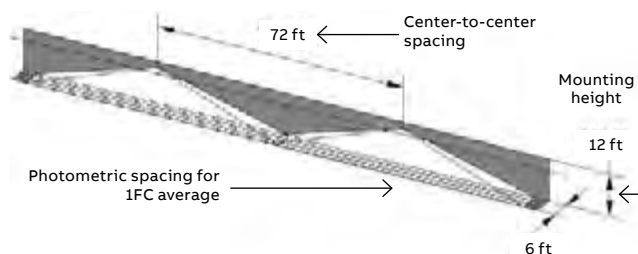
- Easily spring mounted in sheetrock ceilings
- Recessed installation in T-bar suspended ceilings

#### Photometry performance

The **RA Series** has a fixed lighting distribution, optimized by design for ceiling heights up to 12 ft. The **RA Series** delivers a stable and optimal illumination easy to specify. Along an office corridor the space coverage ranges from 68 to 80 feet. The square distribution pattern covers a surface of more than 700 square feet.

Table A: Standard unit 6-ft wide corridor<sup>1</sup>

Mounting height	Lumens	Spacing center-to-center
9 ft	680	68 ft
10 ft		80 ft
12 ft		72 ft



#### Housing colour



#### Electronics

- Infrared remote test control (up to 30ft)
- Self-test and diagnostic functions operated by micro-controller
- Two-wire universal AC input: 120 – 277VAC 50-60 Hz
- Battery full recharge in 24 hours
- 90 minutes of emergency lighting
- Optional time delay: 15 minutes
- Optional Nexus®Pro IOT emergency lighting central monitoring system
- Optional Power over Ethernet (requires a dedicated PoE switch supplied by an unswitched AC line)

#### Battery

- High-temperature rated lithium battery

#### Approvals

- Listed UL-924 for damp locations: 50° to 104°F (10° to 40°C)
- NSF-certified for splash non food zones.
- BC - California Energy Commission Title 20

#### Warranty

- Unit has a five-year limited warranty
- Detailed warranty terms located online at: [www.emergi-lite.com/usa/files/EL\\_Warranty.pdf](http://www.emergi-lite.com/usa/files/EL_Warranty.pdf)



Remote test control

Nexus®Pro



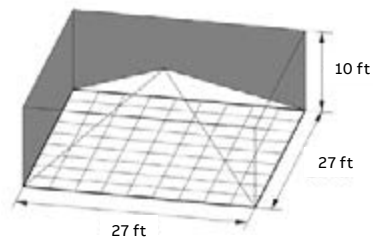
#### Power consumption and unit rating

AC	Input (VAC)	Maximum		Stand-by power (W)
		Current (A)	Power (W) Power factor	
	120	0.03	2.8	0.6
	277	0.02		0.5
POE	DC supply (V)		Maximum	
			Current (A)	Power (W)
	44-57		0.08	3

Table B: Option "square distribution pattern" – single unit coverage<sup>1</sup>

Mounting height	Lumens	Room size	Room surface
10 ft	717	27 ft x 27 ft	729 square feet

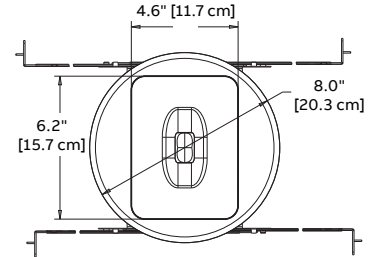
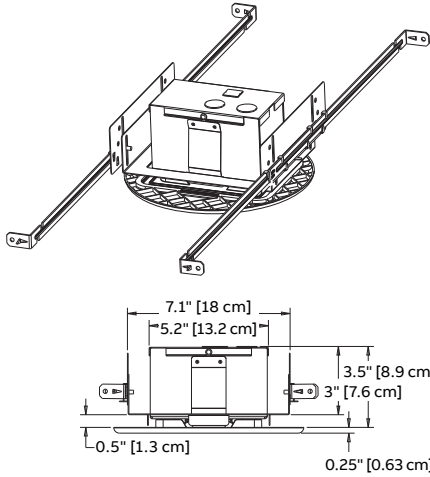
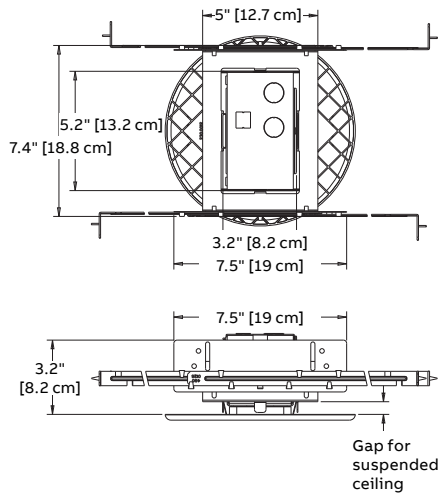
<sup>1</sup>Note: Illumination levels as per the Life Safety Code (NFPA 101): Average 1 fc, Minimum 0.1 fc, Max-to-min ratio 40:1. Typical reflectance levels of walls/ceiling/floor: 80/50/20.



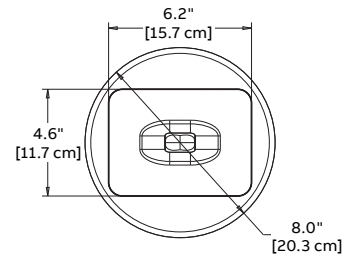
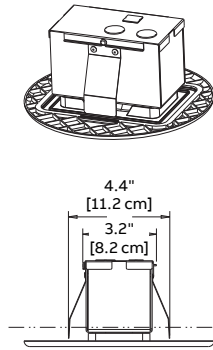
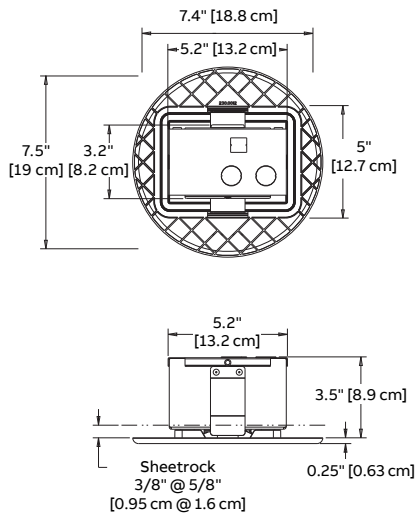
**Dimensions**

Dimensions are approximate and subject to change.

**Recessed suspended ceiling mount**



**Recessed sheetrock ceiling mount**



**How to order**

Color	Series	Input voltage	Unit type	Options
B= Black	RA= Recessed architectural	Blank= 120 to 277VAC, 50/60Hz POE= power over ethernet	Blank= standard charger D= advanced diagnostics, non-audible NEXP= IOT Nexus®Pro	Blank= no options D3= 15 minute time delay P= plenum/type IC rated SQ= Square distribution pattern

Example: WRAPOEDD3