

NYC Approved AGC8 Series

NYC extruded aluminum
edge-lit combo



Ideal for commercial applications, the Edge-Lit combo exit sign includes panels for single and double face applications for universal mounting: wall and ceiling, surface or recessed. High-performance LED with self-diagnostic testing capability to provide optimal illumination.

Construction

- Extruded aluminum trim plate
- 8 inch EXIT lettering legend, available in red
- Acrylic panel
- Single face red on clear, double face red on mirror
- Lamp heads are fully adjustable
- 2.5W, 400 lumens per head

Mounting

- Wall and ceiling surface or recessed mount

Electronics

- High temperature long-life Ni-MH battery
- 120/277VAC 60Hz
- Standard self-diagnostics

Approvals

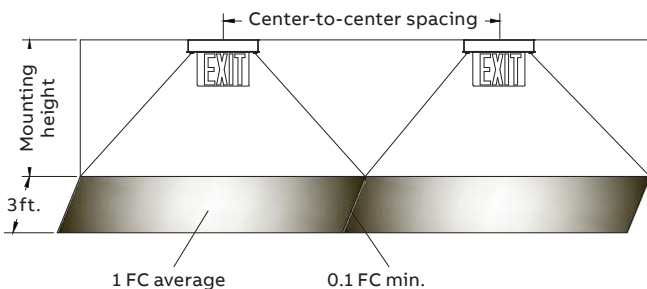
- UL 924 listed
- Damp location 41°F to 104°F (5°C to 40°C)
- NYC Approved

Warranty

- Unit has a three year limited warranty

Photometric performance

Lamp	Spacing center-to-center (feet)
AGC8-2HO	7.5' mounting height 30'



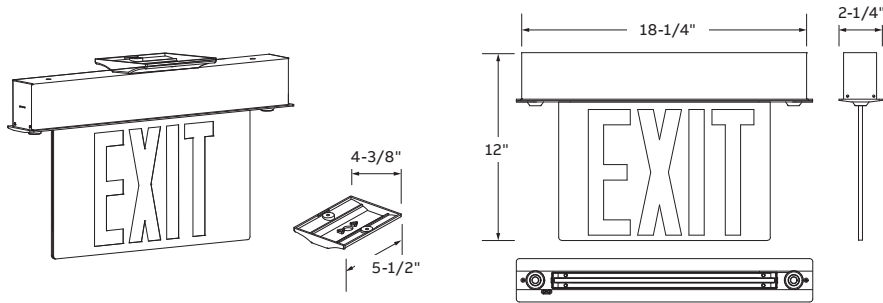
EXIT sign on clear panel



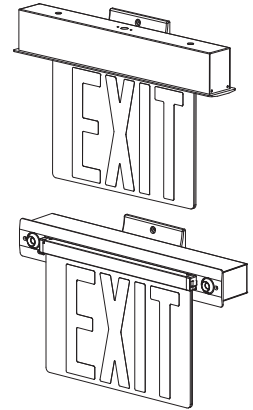
Dimensions

Dimensions are approximate and subject to change.

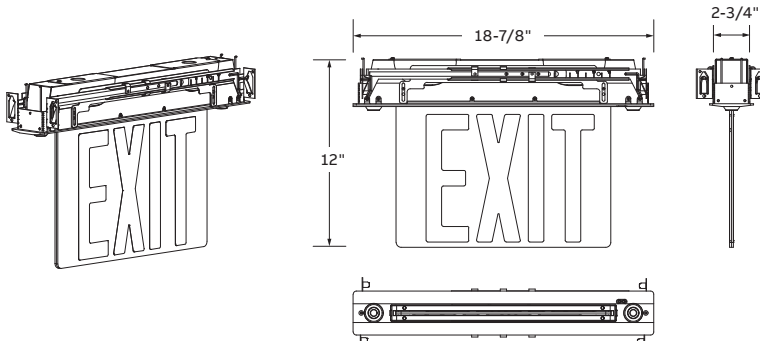
Surface ceiling mount



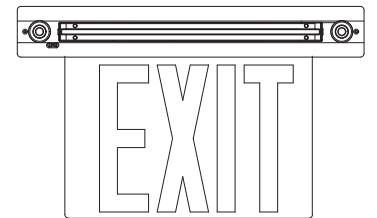
Surface wall mount



Recessed mount



Recessed wall mount



Power consumption

Model	AC specs	Voltage	DC specs
AGC8-2HO	120/277VAC, 60Hz	3.6V	Ni-MH SC 2500mAh

How to order

Model	Face/arrow (universal mounting)	Color	Input
AGC8	Blank= Universal faces	Blank= Brushed aluminum	-2HO= 2 High-output LED lights

Example: AGC8-2HO