


HPHRL Series

Class I, Division 2, Groups A, B, C & D, Class II, Division 2, Groups F & G and Class III, NEMA-4X, damp & wet locations



NEMA-4X 

Housing

- Light weight polycarbonate gray housing and die-cast fully adjustable heads
- Class I, Div. 2, Groups A, B, C & D, Class II Div. 2, Groups F & G, Class III
- NEMA-4X protection grade
- All external fasteners and hardware are constructed of stainless steel

Mounting

- Simple and easy to install on walls, columns and struts
- Column installation bracket sold separately (order catalog number: PMK1-E)
- 1/2" NPT conduit entry on top or side

Performance

- 15W high efficacy LED emergency heads outperform traditional 50W MR16-IR halogen
- Innovative head design: four-LED and dual-driver provide illumination even in case of unexpected component failure

Approvals

- UL 924 listed
- Can be installed in wide temperature range: -40°F to 131°F (-40°C to 55°C)
- Listed to the UL 844 Standard for Class I, Division 2, Groups A, B, C & D, Class II, Division 2, Groups F & G and Class III

Warranty

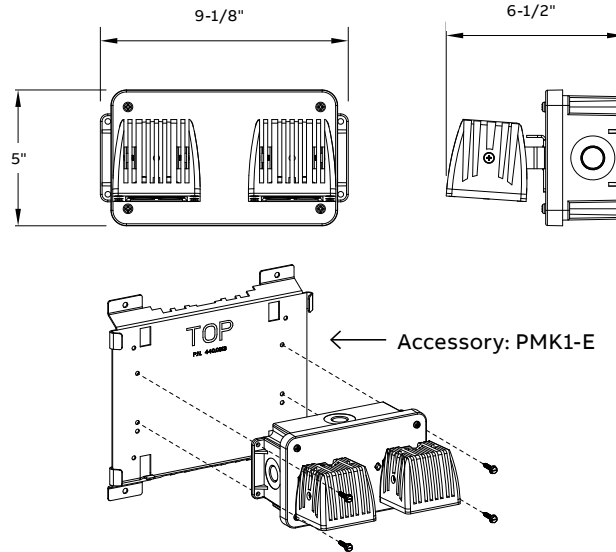
- Unit has a five-year limited warranty
- Detailed warranty terms located on page 202 or online at:
www.emergi-lite.com/usa/files/EL_Warranty.pdf

Classification for hazardous locations

| Lamp suffix | Voltage | Power | Lumen flux | Ambient | Classification | Temp. code |
|-------------|----------|-------|------------|--------------|---|------------|
| L15 | 12-24VDC | 15W | 1,300 Lm | 131°F / 55°C | Class I Division 2 Groups A, B, C and D | T3C |
| | | | | | Class II Division 2 Groups F and G; Class III | T5 |

Dimensions

Dimensions are approximate and subject to change.

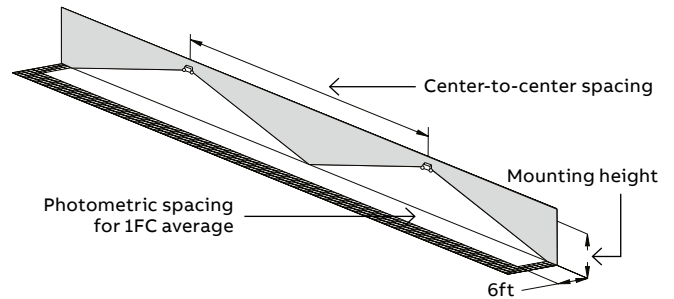


Photometric performance

Whether installed indoors or outdoors, the **HPHRL Series** of LED remote emergency lights deliver a stable and consistent illumination on the path of egress for a wide range of mounting heights.

| LED head | Power | Total lumens | Out-perform spacing of incandescent lamps |
|----------|-------|--------------|---|
| L15 | 15W | 1300 | 50W MR16-IR halogen |

| Mounting height | Spacing center-to-center (feet) | |
|-----------------|---------------------------------|--|
| | Lamp L15 / 15W, 1300LM | |
| 10 ft. | 140 | |
| 15 ft. | 135 | |
| 20 ft. | 130 | |
| 25 ft. | 120 | |



Industrial environment: wall mounted equipment, reflectances: 10/10/10; 6-ft. wide illumination path. Illumination as per NFPA101; Average: 1fc; Min: 0.1fc; Max/min < 40:1

How to order

| Series | Number of heads | LED head |
|---|--------------------------------------|----------------------------------|
| HPHRL= High-performance hazardous location remote | Blank= Single head D= Double head | L15 = 12-24V – 15W (1300 Lumens) |

Example: HPHRLDL15