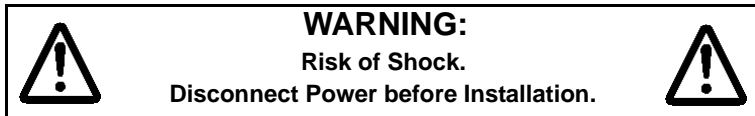


## Emergency EXIT Combination Unit



### IMPORTANT SAFEGUARDS

When using electrical equipment, basic safety precautions should always be followed including the following:

### READ AND FOLLOW ALL SAFETY INSTRUCTIONS

1. All servicing should be performed by qualified service personnel.
2. All unused wires must be insulated to prevent shorting.
3. All electrical connections must be in accordance with local codes, ordinances and the National Electric code.
4. Do not use outdoors.
5. Do not let power supply cords touch hot surfaces.
6. Do not mount near gas or electric heaters.
7. Equipment should be mounted in locations and at heights where it will not readily be subjected to tampering by unauthorized personnel.
8. The use of accessory equipment not recommended by the manufacturer may cause an unsafe condition.
9. Do not use this equipment for other than intended use.
10. Use caution when handling batteries.
11. Avoid possible shorting.
12. Allow battery to charge for 24 hours before first use.

### SAVE THESE INSTRUCTIONS

#### Installation Instructions

**IMPORTANT:** Install product no higher than the maximum mounting height of 9 feet from the floor.

1. Turn off AC power.
2. Using a flat head screwdriver, insert the blade into the two slots and pry off the front cover.
3. Follow the proper mounting procedure below.

#### Wall Mount

- a. Remove the center and appropriate knockouts in the back plate to mount to the junction box.
- b. Feed wires through the center hole of the back plate.
- c. Mount the unit securely to the junction box using the junction box screws.
- d. For electrical connections see section 4 below.

#### Ceiling Mount

- a. Attach the spider plate to the junction box using the junction box screws.
  - b. If the unit is a double face, remove the back plate and install the second face plate provided.
  - c. Remove the mounting hole cover from the top of the unit.
  - d. Feed unit wires through canopy hole.
  - e. Install canopy into the housing at a 20 degree angle and twist. Quick snap is now locked firmly.
4. Make the proper connections (see figure 2a or 2b):
    - a. For 120Vac, connect the black wire (120Vac) and white wire (neutral) to the building utility.
    - b. For 277Vac, connect the red wire (277Vac) and white wire (neutral) to the building utility.
    - c. Feed excess wires back into the junction box and secure the canopy to the spider plate so that the canopy is tight against the wall.

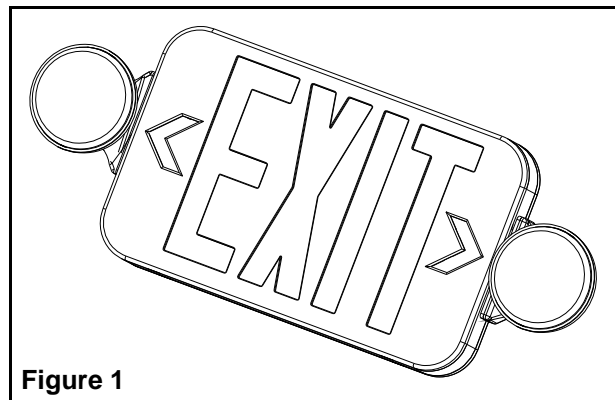
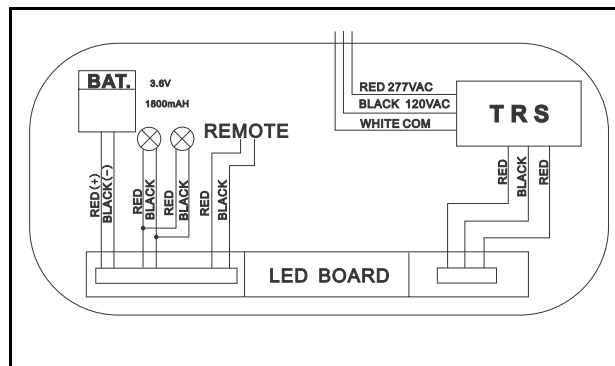
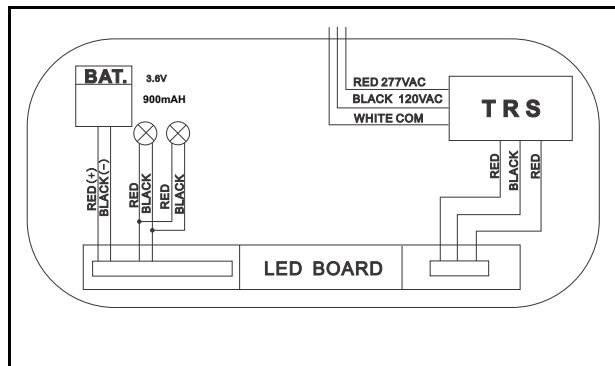


Figure 1



**IMPORTANT:** When relamping, only use lamps specified in this unit. Using other lamp types may result in transformer damage or an unsafe condition.

Figure 2a



**IMPORTANT:** When relamping, only use lamps specified in this unit. Using other lamp types may result in transformer damage or an unsafe condition.

Figure 2b

5. Remove the appropriate chevron(s) by pushing lightly from the inside of the face plate below the chevron and pry the chevron off.
6. Connect the remote heads to the red and black wires indicated using wire nuts (see figure 2).
7. Attach battery connector to PCBA and reinstall the front panel.
8. Restore power and press the test button. Lamp heads will turn on.
9. Adjust the lamp head direction as needed.

### Unit testing

#### Manual test without automatic testing and diagnostics

Allow the unit to charge for 24 hours before testing.

Press the test switch, the emergency lamps will illuminate. When the switch is released, the lamps will turn OFF.

#### Automatic Testing and diagnostics (option)

Once the unit is properly installed according to the installation instruction sheet and AC power supplied it will come ON. The dual color LED indicator will also come ON and the self-diagnostic test function will automatically initiate. The LED indicator points out the current unit status. A STEADY GREEN on the LED indicates a normal service; BLINKING GREEN indicates that the unit is in testing mode; GREEN/RED FLASHING indicates that the battery is charging; RED (in different combinations) would indicate a fault or a service alert. Refer to the Fault Indication table below for more details. The indicator would be OFF when the unit is in emergency mode.

#### Self-Diagnostic

For self-diagnostic units without remote lamps: connect the terminal as shown in figure 3a.

For self-diagnostic units with remote lamps: connect the terminal as shown in figure 3b.

The self-diagnostic function is factory preset without any allowable field adjustment. The automatic self-diagnostic feature serves the following tests

- a. On-line real time monitoring of battery and lamps (both local and remote): identifies battery charging, disconnection and failure along with local and remote lamp failures.
- b. Self-testing and a 15-minute discharge once in every 30 days, after AC power has been supplied for a minimum of 24hrs.
- c. Self-testing and a 90-minute discharge once in every year, after AC power has been supplied for a minimum of 24hrs.

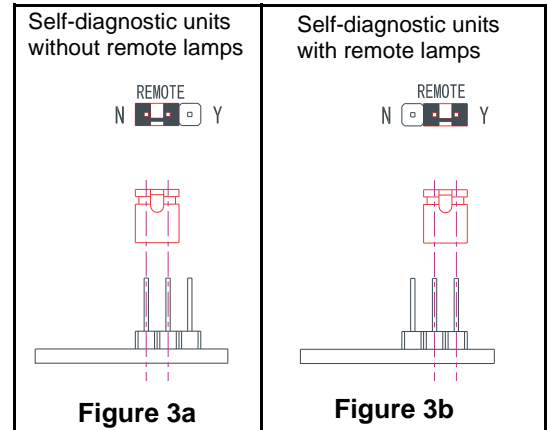
FAULT INDICATION TABLE

Fault Description	LED Indication
Battery disconnection	Steady Red
Battery recharge failure	Flashing Red
Battery failure	Red blinking (2 times)
LED failure (EXIT only)	Red blinking (3 times)
Local lamp failure (Emergency lights only)	Red blinking (4 times)
Remote lamp failure (Emergency lights only)	Red blinking (5 times)

#### Manual testing for self-diagnostic units

The unit also provides for manual testing by pushing the test button in a specific pattern. The different patterns and the resulting tests are listed in the table below.

Action	Reaction & LED indication
Push test button once (within 2 seconds)	30-second test: Flashing green
Push test button twice (within 2 seconds)	15-minute test: Green blinking twice
Push test button three times (within 2 seconds)	90-minute test: Green blinking three times



### Maintenance

None required. Replace the batteries as needed according to ambient conditions. Equipment must be tested regularly in accordance with local codes.

This unit comes with a (3) three year limited warranty.