

## Survive-All™ SVX-HZ Series

Class I Division 2, Groups A, B, C and D, hazardous location exit sign



### Construction

- Fully gasketed housing frame
- Faceplate: heavy-duty, vandal-resistant polycarbonate
- Backplate: heavy-duty aluminum
- Stainless steel tamper-proof screws
- 6 inch EXIT lettering legend, available in red or green
- Field-selectable chevrons

### Mounting

- Surface mount
- Junction box included for wall, end or ceiling mount applications
- 1/2 inch conduit knock-out entry on top and sides.

### Special wording panels

- Available. Contact your sales representative with your design requirements

### Electronics

- Magnetic test switch
- Standard Advanced Diagnostics (non-audible)
- Optional Nexus® monitoring system
- 120/277 60Hz

### Approvals

- CSA-US (To UL 924 standards)
- Evaluated to the UL 844 Standard for Class I Division 2, Groups A, B, C and D
- NEC, OSHA and NEMA compliant for above Classes and Groups
- Damp and wet location (50°F to 104°F)
- Meets NFPA101 (Life Safety Code), NFPA 70-NEC and OSHA illumination standards

### Warranty

- Five-year limited warranty  
Detailed warranty terms located on page 178 or online at:  
[www.emergi-lite.com/usa/files/EL\\_Warranty.pdf](http://www.emergi-lite.com/usa/files/EL_Warranty.pdf)

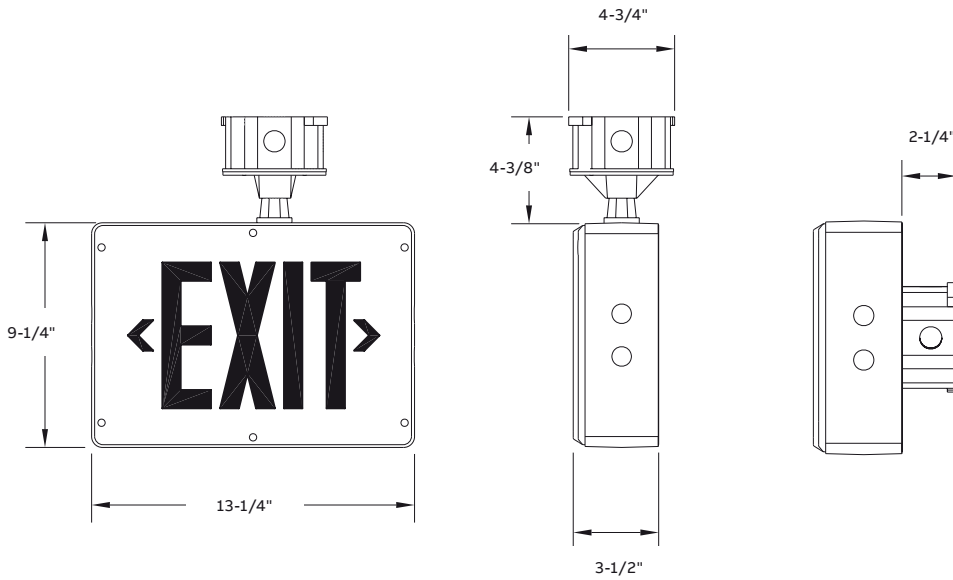
### Power consumption<sup>1</sup>

Model		AC specs		DC specs
AC-only red	120 to 277VAC	Less than 2W	-	-
AC-only green	120 to 277VAC	Less than 1.5W	-	-
Self-powered red	120 to 277VAC	Less than 2W	Ni-Cd battery	Min. 90 minutes
Self-powered green	120 to 277VAC	Less than 2.5W	Ni-Cd battery	Min. 90 minutes

<sup>1</sup>Cold-weather option does not consume additional power

**Dimensions**

Dimensions are approximate and subject to change.



**Accessories** (order as a separate item)

Description	Part number
Tamper-proof bit (extra)	690.0454-E
Convert single to double face, red <sup>1</sup>	DFKR-GY
Convert single face to double face, green <sup>1</sup>	DFKG-GY

<sup>1</sup>In the field

**How to order**

Color of body/face	Series	Face	Legend	Diagnostic	Options
GG= Gray/gray	SVXHZ= AC only SVXNHZ= Self-powered Ni-Cd	1= Single (ceiling/wall mount) 2= Double (ceiling mount only)	R= Red G= Green	-D= Diagnostic (self-powered only) -NEX= NEXUS® wired -NEXRF= NEXUS® wireless	CW= Cold weather <sup>1</sup>

**Example: GGSVXNHZ2R-DCW**

<sup>1</sup>Self-powered model