

Survive-All™ SVX-HZ Series

Class I Division 2, Groups A, B, C and D, hazardous location exit sign



Construction

- Fully gasketed housing frame
- Faceplate: heavy-duty, vandal-resistant polycarbonate
- Backplate: heavy-duty aluminum
- Stainless steel tamper-proof screws
- 6 inch EXIT lettering legend, available in red or green
- Field-selectable chevrons

Mounting

- Surface mount
- Junction box included for wall, end or ceiling mount applications
- 1/2 inch conduit knock-out entry on top and sides.

Special wording panels

- Available. Contact your sales representative with your design requirements

Electronics

- Magnetic test switch
- Standard Advanced Diagnostics (non-audible)
- Optional Nexus® monitoring system
- 120 to 277 60Hz
- Compatible with Emergi-lite min inverters (contact your sales representative for more information)

Approvals

- CSA-US (To UL 924 standards)
- Evaluated to the UL 844 Standard for Class I Division 2, Groups A, B, C and D
- NEC, OSHA and NEMA compliant for above Classes and Groups
- Self-powered model damp and wet location (50°F to 104°F)
- AC/DC model (-40°F to 104°F)
- Meets NFPA101 (Life Safety Code), NFPA 70-NEC and OSHA illumination standards
- E – California Energy Commission Title 20

Warranty

Five-year limited warranty

Detailed warranty terms located on page 202 or online at:

www.emerigi-lite.com/usa/files/EL_Warranty.pdf

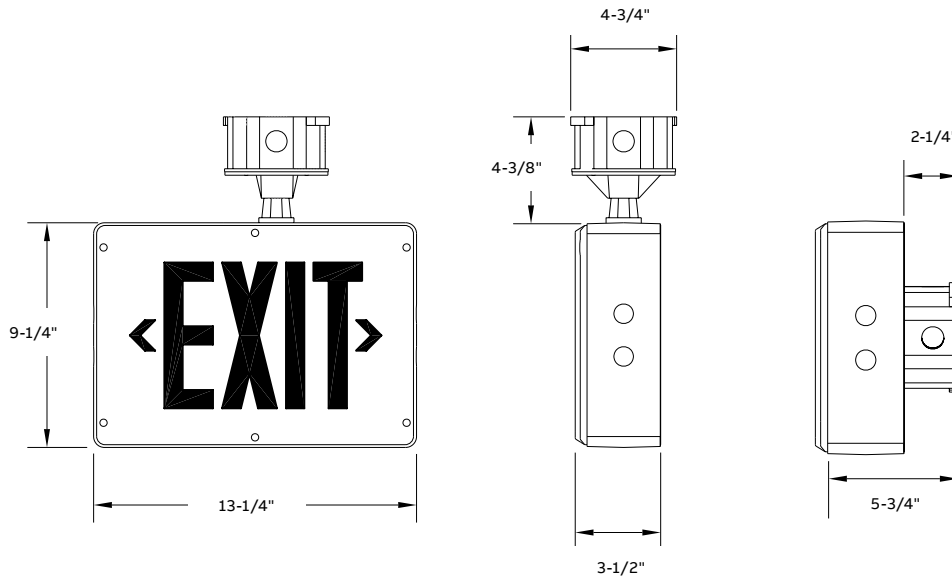
Power consumption¹

Model	AC specs	DC specs
AC/DC-only red	120 to 277VAC, 60Hz	Less than 2W
AC/DC-only green	120 to 277VAC, 60Hz	Less than 1.5W
Self-powered red	120 to 277VAC, 60Hz	Less than 2W
Self-powered green	120 to 277VAC, 60Hz	Less than 2.5W
		6-24 VDC
		Ni-Cd battery
		Min. 90 minutes

¹Cold-weather option does not consume additional power

Dimensions

Dimensions are approximate and subject to change.



Accessories (order as a separate item)

Description	Part number
Tamper-proof bit (extra)	690.0454-E
Convert single to double face, red ¹	DFKR-GY
Convert single face to double face, green ¹	DFKG-GY

¹In the field

How to order

Color of body/face	Series	Face	Legend	Diagnostic	Options
GG= Gray/gray	SVXHZ= AC/DC only SVXNHZ= Self-powered Ni-Cd	1= Single (ceiling/wall mount) 2= Double (ceiling mount only)	R= Red G= Green	Blank = AC/DC models -D= Diagnostic (self-powered only & non-audible) -NEX= NEXUS® wired -NEXRF= NEXUS® wireless	CW= Cold weather (-40°F to 104°F) ¹

Example: GGSVXNHZ2R-DCW

¹Self-powered model