

## Distinction™ DC Series

Remote recessed designer light fixtures



### Description

- Indoor use
- Powder-coated die-cast aluminum construction

### Finish

- Choice of white, black, brushed nickel

### Mounting

- Recessed ceiling mount
- Must order appropriate housing with decorative head selection for installation into new construction ceiling (EL-GRHR03) or non-insulated ceiling (EL-GRHR05) GU10 or insulated ceiling (EL-GRHR06)

### Approval

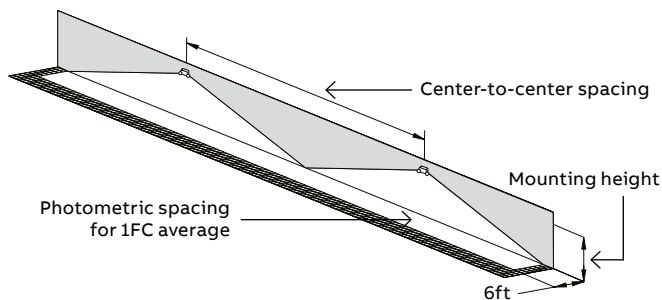
- UL listed

### Warranty

- Unit has a three-year limited warranty  
Detailed warranty terms located on page 178 or online at:  
[www.emergi-lite.com/usa/files/EL\\_Warranty.pdf](http://www.emergi-lite.com/usa/files/EL_Warranty.pdf)

### Photometric performance

Lamp	Spacing center-to-center (feet)	
	7' mounting height	15' mounting height
LA	43'	36'
LB	81'	64'
LG	55'	43'
LI	71'	56'
LJ	100'	85'
LL	56'	44'
LM	100'	85'
LV	43'	39'

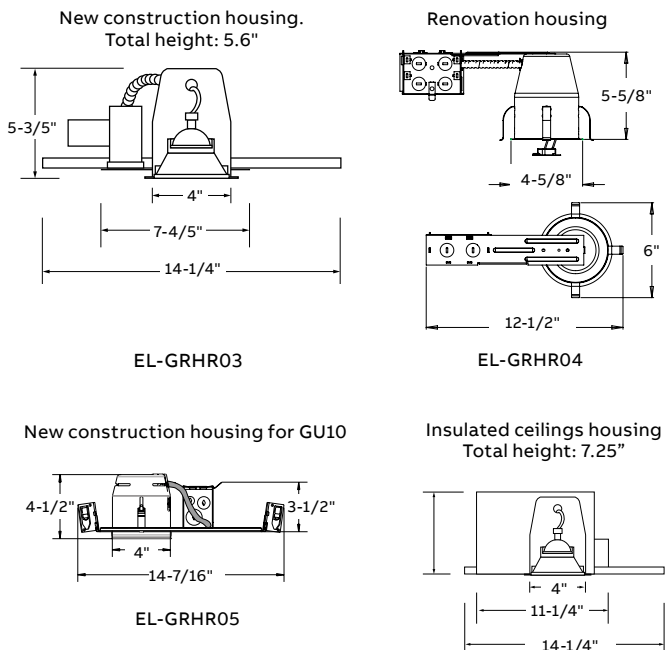





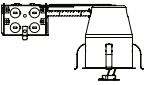


### Housing

Suffix	Description
EL-GRHR03	New construction
EL-GRHR04	Renovation housing
EL-GRH05	Non-insulated ceiling
EL-GRHR06	Insulated ceilings

### Dimensions

Dimensions are approximate and subject to change.



Series			LED lamp suffix
	<b>EFR8R: concave</b> (egress/regress)	<b>Description:</b> Decorative adjustable lighting head <b>Dimensions:</b> 4.0" diameter base <b>Color suffix:</b> -WH = White, -BN = Brushed nickel or -BK= Black <b>Requires recessed housing</b>	<b>LA=</b> 6V-4W, MR16 LED <b>LB=</b> 6V-5W, MR16 LED <b>LG=</b> 12V-4W, MR16 LED <b>LL=</b> 24V-4W, MR16 LED <b>LV=</b> 120V-4W, MR16 LED <b>LI=</b> 12V-5W, MR16 LED <b>LJ=</b> 12V-6W, MR16 LED <b>LM=</b> 24V-6W, MR16 LED
	<b>EFR9: pop-out</b>	<b>Description:</b> Decorative adjustable lighting head <b>Dimensions:</b> 4.0" diameter base <b>Color suffix:</b> -WH = White or -BK= Black <b>Requires recessed housing</b>	<b>LA=</b> 6V-4W, MR16 LED <b>LB=</b> 6V-5W, MR16 LED <b>LG=</b> 12V-4W, MR16 LED <b>LL=</b> 24V-4W, MR16 LED <b>LV=</b> 120V-4W, MR16 LED <b>LI=</b> 12V-5W, MR16 LED <b>LJ=</b> 12V-6W, MR16 LED <b>LM=</b> 24V-6W, MR16 LED
	<b>EL-GRHR03</b>	<b>Housing enclosure</b> <b>Description:</b> New construction housing <b>Dimensions:</b> 5.6" x 14.2" <b>New construction housing – MR16 6-24V</b>	-
	<b>EL-GRHR04</b>	<b>Housing enclosure</b> <b>Description:</b> Renovating Housing <b>Dimensions:</b> 4.6" x 12.5" <b>Renovation housing - MR16 6-24V</b>	-
	<b>EL-GRHR05</b>	<b>Housing enclosure</b> <b>Description:</b> New construction housing <b>Dimensions:</b> 5.6" x 14.24" <b>New construction housing – MR16 120V (GU10)</b>  Note: For MR16 halogen lamps, please consult lamp data p. 140-141	-
	<b>EL-GRHR06</b>	<b>Housing enclosure</b> <b>Description:</b> Insulated ceiling housing <b>Dimensions:</b> 7.25" x 14.24" <b>Insulated ceilings housing – MR16 6-24V</b>	-

**How to order**

Series	Color	Lamp type/ wattage
EFR8R	Choose color from the above table	(L_) = LED MR16
EFR9		

Example: EFR8RBK(LA)