

Lux-Ray™ LED Series

Low-profile, sleek look light fixture



Description

- Die-cast aluminium housing
- UV resistant polycarbonate lens

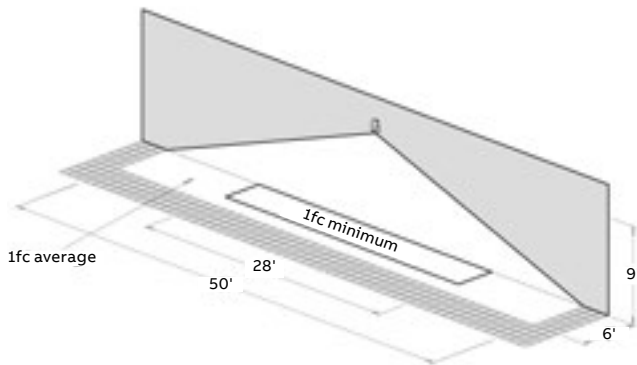
Lamp type

- LED light engine with redundant connections
- Optional forward-throw light distribution, for applications of outdoor egress
- Optional dual-mode: normal and emergency LED lighting with separate AC inputs

Photometric performance

Table A – Spacing for minimum illumination = 1FC (1 foot-candle)

Model type	Mounting height	Lumen	Color temperature	Width X length (ft)	
				Single unit	Center-to-center
Standard	9'	400	4000K	4' x 28'	4' x 32'
With option -H	11'	550		4' x 32'	4' x 40'
With option -FT	12'	460		4' x 22'	-
With option -FTH	15'	640		4' x 27'	-



Housing color



- Optional high-lumen output
- Optional photo-switch: dusk-to-dawn control of normal lighting
- Optional remote test: infrared remote control
- 400-640 Lumens
- Color temperature: 4000K

Mounting

- Surface wall mount
- Universal J-box mounting

Approval

- UL listed
- NEMA-3R
- Damp and wet location listed (-40°F to 104°F, -40°C to 40°C)

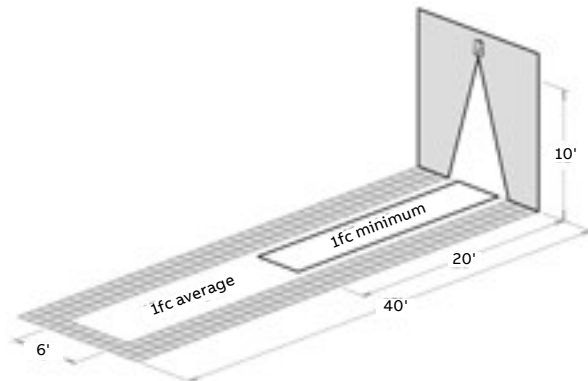
Warranty

- Unit has a five-year limited warranty
- Detailed warranty terms located on page 178 or online at:
www.emergi-lite.com/usa/files/EL_Warranty.pdf



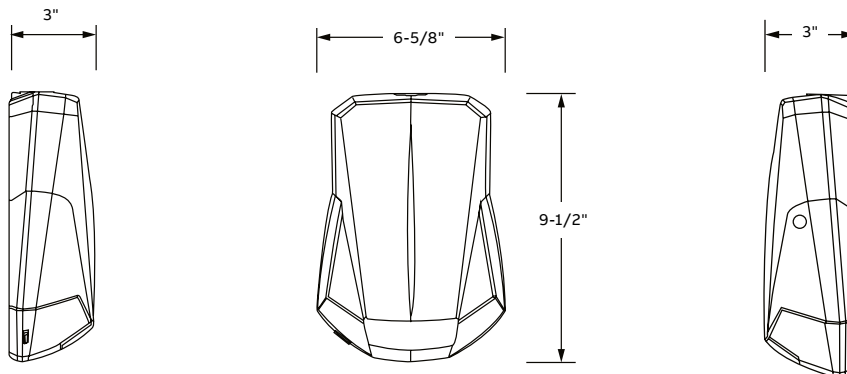
Table B – Spacing for NFPA101 – Average = 1FC (1 foot-candle)

Model type	Mounting height	Lumen	Color temperature	Width X length (ft)	
				Single unit	Center-to-center
Standard	9'	400	4000K	6' x 50'	4' x 32'
With option -H	11'	550		6' x 60'	4' x 40'
					3' x 70'
With option -FT	12'	460		6' x 40'	-
With option -FTH	15'	640		6' x 50'	-



Dimensions

Dimensions are approximate and subject to change.



Power consumption chart

Model type	Normal lighting (120/277VAC)		Emergency lighting (120/277VAC)		6-12VDC remote
	Current (max)	Power (max)	Current (max)	Power (max)	Power (max)
AC, 2AC, ACDC, DC	0.12/0.08A	12W	0.12/0.08A	12W	8W
AC, 2AC, ACDC, DC, -H	0.18/0.11A	18W	0.18/0.11A	18W	14W

¹Note: only unswitched AC input; normal lighting with photocell or remote control

How to order

Color	Series	Model [(-40°F ... +122°F (-40°C ... +50°C))]	Options
B = Black	LUX = Lux-Ray LED	AC = AC-only	-FT = Forward throw lighting
BZ = Dark bronze		ACDC = AC/6-12VDC remote	-H = High lumen output (-40... 86°F/-40...30°C)
OW = Off-white		DC = 6-12VDC remote fixture	-P = Photocell (AC, ACDC only)
PG = Platinum gray		2AC = AC-only two circuits: 120/120 or 277/277V	-RC = Remote control test switch- infrared ¹ (AC, ACDC only)
Example: BZLUXDC-FTH			

¹Remote control keypad (TB-RC1-E) ordered separately