

X10 LED Series

Steel LED exit and mini-system combination units



Construction

- Steel housing
- Standard off-white finish, optional black finish
- Choice of MR16 LED lamp wattages
- Heads available in thermoplastic or decorative die-cast aluminum
- 6 inch EXIT lettering legend, available in red or green
- Field-selectable chevrons

Mounting

- Surface mount
- Canopy included for end or ceiling mount applications
- Universal J-box mounting

Combo units

- SBX14 model, lead-calcium battery, 6V-30W total battery capacity
- STX14 model, nickel-cadmium battery, 6V-24W total battery capacity

Exit sign

- X14 model, exit sign, AC-Only, 120/277VAC, 50/60Hz
- SNX14 model, nickel-cadmium battery

Lamp head source

- MR16 LED 6V 4W

Electronics

- Optional Advanced Diagnostics
- Optional Nexus® monitoring system
- 120/277 60Hz

Special wording panels

- Available. Contact your sales representative with your design requirements

Approvals

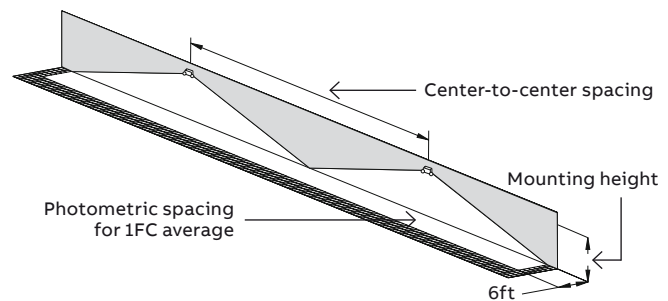
- UL 924 listed
- Meets NFPA101 (Life Safety Code), NFPA 70-NEC and OSHA illumination standards

Warranty

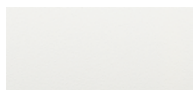
- Unit has a three-year limited warranty
- Detailed warranty terms located on page 178 or online at:
www.emergi-lite.com/usa/files/EL_Warranty.pdf

Photometric performance

Lamp	Spacing center-to-center (feet)	
	7' mounting height	15' mounting height
LA	43'	36'



Housing color



White



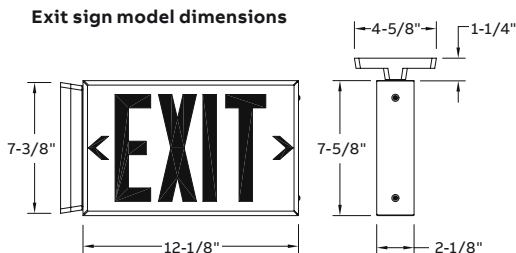
Black



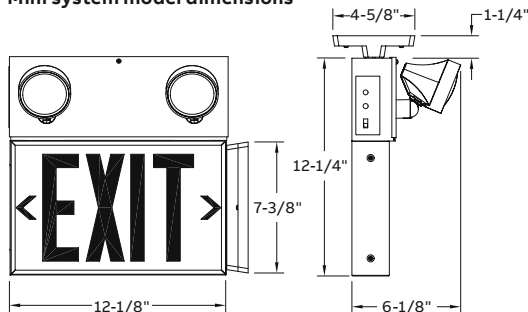
Textured aluminum

Dimensions

Dimensions are approximate and subject to change.



Mini system model dimensions



Power consumption – LED exit signs

Model	AC specs		DC specs	
AC-only	120 to 277 VAC	Less than 1.5W	-	-
AC/DC	120 to 277 VAC	Less than 1.5W	6 to 24 VDC	Less than 1.5W
Self-powered	120 to 277 VAC	Less than 3W	Nickel-cadmium	Min. 90 minutes
Mini-system combo	120/277VAC	0.3/0.15 Amp	-	-

Power consumption – Mini-system combination units¹

Battery type	DC voltage	Model number	Battery capacity in watts			
			1-1/2 hrs	2 hrs	3 hrs	4 hrs
Lead-calcium	6	SBX14	30	20	15	10
Nickel-cadmium	6	STX14	24	18	12	9

¹120/277VAC 60Hz, 0.3/0.15 Amp.
Unit rating - Total DC power available for local and remote emergency lights.

Accessories (order as a separate item)

Description	Suffix
White pendant	P-WT ¹
Black pendant	P-BK ¹
Wire guard ceiling mount (exit only)	WG5-E
Wire guard end mount (exit only)	WG5-E
Wire guard for wall mount (AC only, AC/DC & self-powered exit signs)	WG12-E
Wire guard for wall mount (mini system or combo)	WG6-E

¹Specify pendant length in inches

How to order

DC input	Series	Housing color	Battery type	Legend colors
Blank= No DC input DC= 6V to 24VDC ¹	L= LED exit sign	W= White B= Black A= Textured aluminum	Exit sign models X14= AC only or AC/DC SNX14= Ni-Cd 120/277VAC Mini system combination units SBX14= 6V-30W lead-calcium STX14= 6V-24W nickel-cadmium ² SXX14= 6V-20W nickel-cadmium ²	R= Red G= Green Open face³ RW= Red/white WR= White/red GW= Green/white WG= White/green

# of heads for mini system	Head style	Lamp type	Options
Blank= No head -1= 1 head -2= 2 heads	10= EF10 150= EF150	LA= 6V-4W, MR16 LED ⁴	Blank= No option -AD= Advanced Diagnostics (audible) ⁵ -ADNA= Advanced Diagnostics (non-audible) ⁵ -NEX= NEXUS® wired ⁵ -NEXRF= NEXUS® wireless ⁵ -D3= Time delay (15 minutes) -VR= Tamper-proof screws -VR1= Polycarbonate shield with tamper-proof screws

Example: DCLWX14R-VR

¹Only available on exit sign models
²Available with -AD, -ADNA, -NEX or -NEXRF only
³Open face required with special wording legends
⁴Available with 10 & 150 lamp head only - NOTE: For a complete list of available lamp types, please refer to the lamp data on page 168
⁵Available only in SNX14, SBX14 & SXX14