

## X10 LED Series

Steel LED exit and mini-system combination units



### Construction

- Steel housing
- Standard off-white finish, optional black finish or brushed aluminum
- Choice of MR16 LED lamp wattages
- Heads available in thermoplastic or decorative die-cast aluminum
- 6 inch EXIT lettering legend, available in red or green
- Field-selectable chevrons

### Mounting

- Surface mount
- Canopy included for end or ceiling mount applications
- Universal J-box mounting

### Combo units

- SBX14 model, lead-calcium battery, 6V-30W total battery capacity
- STX14 model, nickel-cadmium battery, 6V-24W total battery capacity

### Exit sign

- X14 model, exit sign, AC-Only, 120/277VAC, 50/60Hz
- SNX14 model, nickel-cadmium battery

### Photometric performance

Lamp	Spacing center-to-center (feet)	
	7' mounting height	15' mounting height
LA	43'	36'
LB	81'	64'

### Housing color



White



Black



Textured aluminum

### Lamp head source

- MR16 LED 6V 4W or 6V 5W

### Electronics

- Optional Advanced Diagnostics
- Optional Nexus® monitoring system

### Special wording panels

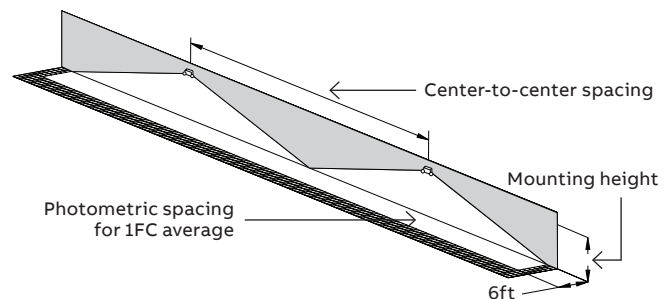
- Available. Contact your sales representative with your design requirements

### Approvals

- UL 924 listed
- Meets NFPA101 (Life Safety Code), NFPA 70-NEC and OSHA illumination standards
- E-California Energy Commission Title 20 (Exit sign only)

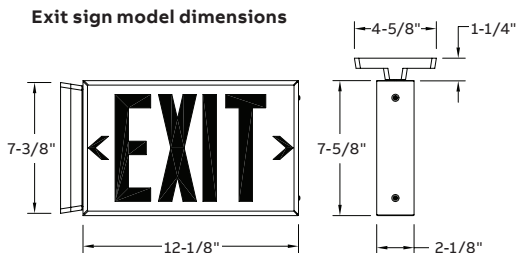
### Warranty

- Unit has a three-year limited warranty
- Detailed warranty terms located on page 202 or online at: [www.emergi-lite.com/usa/files/EL\\_Warranty.pdf](http://www.emergi-lite.com/usa/files/EL_Warranty.pdf)

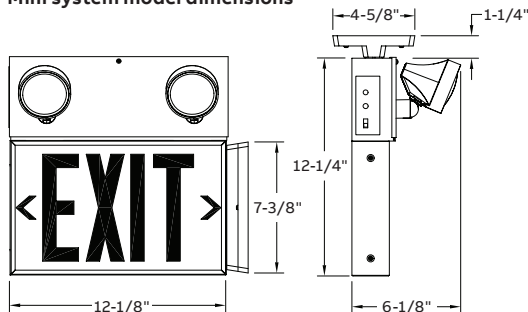


**Dimensions**

Dimensions are approximate and subject to change.



**Mini system model dimensions**



**Power consumption – LED exit signs**

Model	AC specs		DC specs	
AC-only	120 to 277 VAC	Less than 1.5W	-	-
AC/DC	120 to 277 VAC	Less than 1.5W	6 to 24 VDC	Less than 1.5W
Self-powered	120 to 277 VAC	Less than 3W	Nickel-cadmium	Min. 90 minutes

**Power consumption – Mini-system combination units<sup>1</sup>**

Battery type	DC voltage	Model number	Battery capacity in watts			
			1-1/2 hrs	2 hrs	3 hrs	4 hrs
Lead-calcium	6	SBX14	30	20	15	10
Nickel-cadmium	6	STX14	24	18	12	9

<sup>1</sup>120/277VAC 60Hz, 0.3/0.15 Amp.  
Unit rating - Total DC power available for local and remote emergency lights.

**Accessories** (order as a separate item)

Description	Suffix
White pendant	P-WT <sup>1</sup>
Black pendant	P-BK <sup>1</sup>
Wire guard ceiling mount (exit only)	WG5-E
Wire guard end mount (exit only)	WG5-E
Wire guard for wall mount (AC only, AC/DC & self-powered exit signs)	WG12-E
Wire guard for wall mount (mini system or combo)	WG6-E

<sup>1</sup>Specify pendant length in inches

**How to order**

DC input	Series	Housing color	Battery type	Legend colors	
Blank= No DC input DC= 6V to 24VDC <sup>1</sup>	L= LED exit sign	W= White B= Black A= Textured aluminum	<b>Exit sign models</b> X14= AC only or AC/DC SNX14= Ni-Cd 120/277VAC  <b>Mini system combination units</b> SBX14= 6V-30W lead-calcium STX14= 6V-24W nickel-cadmium <sup>2</sup> SXX14= 6V-20W nickel-cadmium <sup>2</sup>	R= Red G= Green  <b>Open face<sup>4</sup></b> RW= Red/white WR= White/red GW= Green/white WG= White/green	R1= Red, single face <sup>3</sup> R2= Red, double face <sup>3</sup> G1= Green, single face <sup>3</sup> G2= Green, double face <sup>3</sup>

# of heads for mini system	Head style	Lamp type	Options
Blank= No head -1= 1 head -2= 2 heads	10= EF10 150= EF150	LA= 6V-4W, MR16 LED LB= 6V-5W, MR16 LED	Blank= No option -AD= Advanced Diagnostics (audible) <sup>5</sup> -ADNA= Advanced Diagnostics (non-audible) <sup>5</sup> -NEX= NEXUS® wired <sup>5</sup> -NEXRF= NEXUS® wireless <sup>5</sup> -D3= Time delay (15 minutes) -VR= Tamper-proof screws -VR1= Polycarbonate vandal resistant shield with tamper-proof screws

**Example: DCLWX14R-VR**

<sup>1</sup>Only available on exit sign models  
<sup>2</sup>Available with -AD, -ADNA, -NEX or -NEXRF only  
<sup>3</sup>Required when ordering tamper-proof screws or vandal-resistant shield  
<sup>4</sup>Open face required with special wording legends  
<sup>5</sup>Available only in SNX14, SBX14 & SXX14