

Survive-All™ SVX Series

NEMA-4X, vandal resistant and harsh environment exit sign



Construction

- Full gasketed NEMA-4X housing
- Frame: polyvinyl chloride enclosure, fully gasketed around the lens, backplate and canopy to prevent water infiltration
- Faceplate: heavy-duty, vandal-resistant polycarbonate
- Backplate: heavy aluminum
- Comes with both Phillips head for NSF location and tamper-proof screws
- 6 inch EXIT lettering legend, available in red or green
- Field-selectable chevrons
- Choice of finishes: black, white, gray or brushed aluminum

Mounting

- Surface mount
- Ceiling and wall mount are NEMA-4X
- End and pendant mount are not NEMA-4X
- Canopy included for end or ceiling mount applications
- Universal J-box mounting
- 1/2 inch conduit entry on top and sides

Special wording panels

- Available. Contact your sales representative with your design requirements

Electronics

- Magnetically operated test switch
- Standard Advanced Diagnostics (non-audible)
- Optional Nexus®Pro IoT monitoring system
- Optional Nexus® wired and wireless monitoring system
- 120/277 60Hz

Approvals

- UL 924 listed
- UL listed for wet and damp location self powered (50°F to 104°F), AC and AC/DC (-40°F to 104°F)
- Self powered model UL listed for cold weather option (-20°F to +104°F)
- Meets NFPA101 (Life Safety Code), NFPA 70 NEC, OSHA illumination standards
- E-California Energy Commission Title 20

Warranty

- Five-year limited warranty
- Detailed warranty terms located on page 178 or online at:
www.emergi-lite.com/usa/files/EL_Warranty.pdf

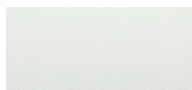
Power consumption

Model	AC specs	DC specs
AC-only	120-277VAC, 50/60Hz (1.2W)	-
AC/DC	120-277VAC, 50/60Hz (1.2W)	6 to 24VDC (less than 1.5W)
Self-powered	120-277VAC, 50/60Hz (3.7W)	Ni-Cd battery (min. 90 minutes)

Housing color



Black



White



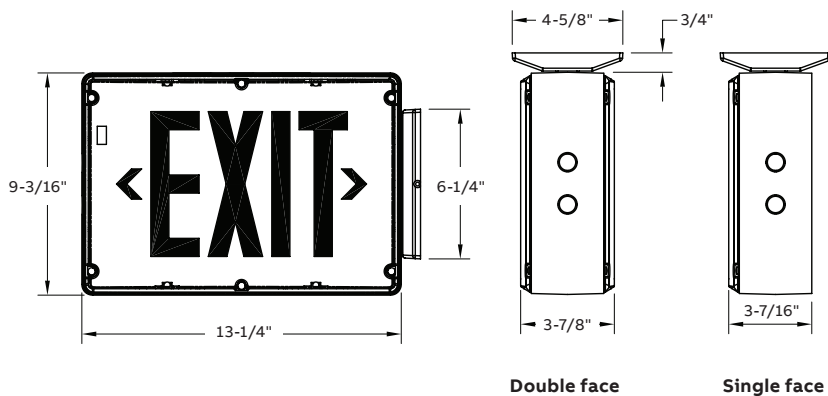
Gray



Brushed aluminum

Dimensions

Dimensions are approximate and subject to change.



Accessories (order as a separate item)

Description	Part number
Tamper-proof bit	690.0454-E
Convert single to double face, red	DFKR ¹
Convert single face to double face, green	DFKG ¹
Additional test magnet	199.0133-E

¹Colors available AL-BK-WT

How to order

Housing color	Series	Face	Legend	Charger type
BB = Black/black	SVX = AC only	1 = Single	R = Red	Blank = AC only
BW = Black/white	SVXN = Self- powered Ni-Cd	2 = Double	G = Green	-D = Diagnostic (Self-powered only)
BA = Black/aluminum				-NEX = Nexus® wired (consult your sales representative)
GB = Gray/black				-NEXP = Nexus®Pro IoT (consult your sales representative)
GW = Gray/white				-NEXRF = Nexus® wireless (consult your sales representative)
GA = Gray/aluminum				
WB = White/black				
WW = White/white				
WA = White/aluminum				

Housing	Options
-4X = Wet/damp locations ¹	Blank = No options
	-2CKT = Dual circuit (AC only) ²
	-CW = Cold weather (Self-powered -4°F to 104°F) ⁴
	-CM = Canopy pendant mount ⁵
	-DC = 6 to 24VDC ³
	-FA = Fire alarm activated flasher ²
	-FL = Flasher only ²
	-FZ = Flasher/buzzer (self-powered only) ²

Example: BBSVXN1R-D-4X-FA

¹NEMA 4X rated for wall or ceiling mount only

²Not available with Nexus® option

³Not available with self-power

⁴Not available on AC only, must order self-powered or AC-DC

⁵Not Nema-4X rated