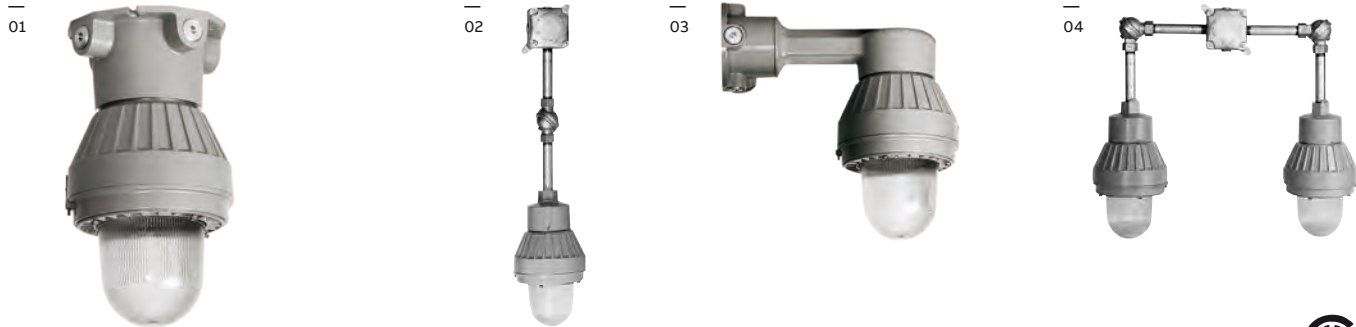


EFEF Series

Explosion proof LED remote unit



Description

- MR16 LED light source
- Available as wall ceiling or pendant mount
- Heavy cast aluminum
- Pyrex® lenses¹

Finish

- Painted grey

Mounting

- Surface mount: wall or ceiling
- Pendant mount: single head or double head
- Pendant mount including hazardous location elbows, swivels and conduit extension pipe (6" increments)
- Combination hazardous location junction box/mounting plate with 1/2" NPT conduit entry

Approvals

- CSA US (to UL 924 standards)
- Class I, Division 1&2, Groups C and D
- Class II, Division 1&2, Groups E, F and G
- Class III, Division 1&2, (150W max)
- Complies with NEC, OSHA and NEMA for above classes and groups
- Suitable for wet and damp location

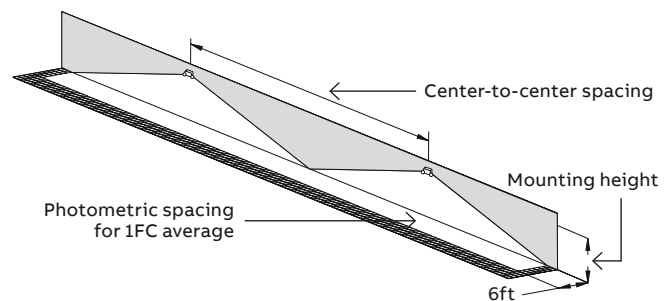
Warranty

- Unit has a five-year limited warranty
- Detailed warranty terms located on page 178 or online at:
www.emergi-lite.com/usa/files/EL_Warranty.pdf

¹Pyrex® is a registered trademark of Corning Glass.

Photometric performance - with two lamps

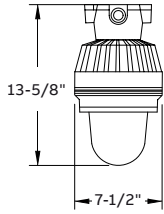
Lamp	Spacing center-to-center (feet)	
	7' mounting height	15' mounting height
2 x LA	43'	29'
2 x LG	55'	36'
2 x LI	67'	41'
2 x LJ	87'	62'
2 x LL	56'	29'
2 x LV	58'	39'



Dimensions

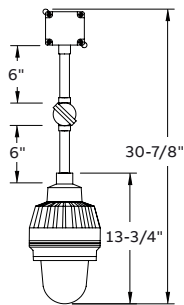
Dimensions are approximate and subject to change.

Ceiling mount



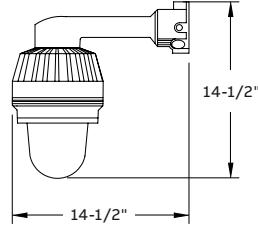
—
01
EFEPC
Ceiling mount 11 lbs.

Pendant mount



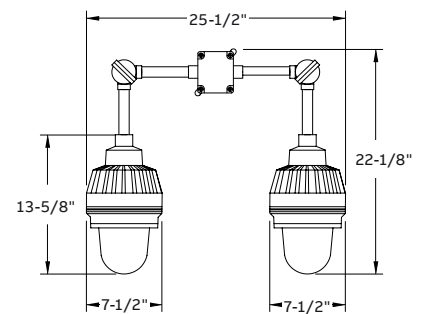
—
02
EFEPP
Pendant mount with hanger box & pendant 14 lbs.

Wall mount






—
03
EFEPW
Wall bracket mount 14 lbs.

Double pendant mount



—
04
EFEP1 – Single 12 lbs.
EFEP2 – Double 21 lbs.
EFEP3 – Triple 30 lbs.

Standard configurations for EXC Series

Unit	Description	Suffix
	Guard One-piece aluminum casting construction, attaches to globe holder ring with four screws	GXP
	Dome Reflector Highly reflective white finish inside and out, attaches to globe holder ring with four screws	RD
	Angle Reflector Highly reflective white finish inside and out, attaches to globe holder ring with four screws	RA

How to order

Series	Mounting	No. of lamps	Lamp type/wattage
EFEP= X-proof LED remote	C= Ceiling mount P= Pendant W= Wall mount D= Double pendant mount	2= 2 lamps per head	LA= 6V-4W, MR16 LED LG= 12V-4W, MR16 LED LI= 12V-5W, MR16 LED LJ= 12V-6W, MR16 LED LL= 24V-4W, MR16 LED LV= 120V-4W, GU10 LED

Example: EFEP3(HB)-GXP