

## JS Series

Steel housing 6V & 12V up to 54W capacities



nexus



### Housing

- Steel housing
- Standard off-white finish, optional black finish
- Choice of MR16 LED lamp wattages
- Heads available in thermoplastic or decorative die-cast aluminum

### Mounting

- Ceiling or wall mount
- Universal J-box mounting

### Electronics

- Pulse plus charger
- Low voltage disconnect
- Automatic brownout protection
- Battery lock-out
- Fused output circuit
- Optional Advanced Diagnostics
- Optional Nexus® monitoring system
- 120/277 60Hz

### Choice of battery

- 6V or 12V lead-calcium battery
- 6V or 12V nickel-cadmium battery

### Approvals

- UL 924 standard
- NYC approved
- BC – California Energy Commission Title 20

### Warranty

- Unit has a three-year limited warranty
- Detailed warranty terms located on page 178 or online at: [www.emergi-lite.com/usa/files/EL\\_Warranty.pdf](http://www.emergi-lite.com/usa/files/EL_Warranty.pdf)

### Housing color



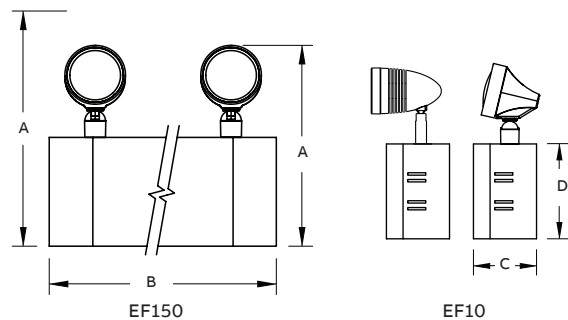
Off white



Black

### Dimensions

Dimensions are approximate and subject to change.

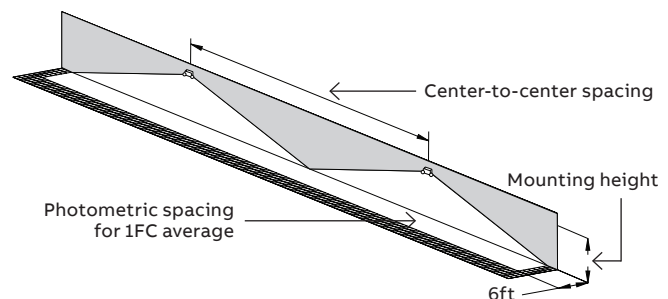


### Cabinet information

Cabinet size	Dimensions			
	A	B	C	D
S	11-3/8" // 9-3/4"	11"	3-1/2"	5-1/4"
L	12-3/8" // 10-3/4"	12-3/4"	4"	6-1/4"

### Photometric performance

Lamp	Spacing center-to-center (feet)	
	7' mounting height	15' mounting height
LA	43'	36'
LB	81'	64'
LG	55'	43'
LI	71'	56'
LJ	100'	85'



—  
Unit rating - non-CEC models

Sealed maintenance-free battery types	DC voltage	Model number	Battery capacity in watts				Cabinet size
			1 1/2 hrs	2 hrs	3 hrs	4 hrs	
Lead-calcium	6	JSM18	18	12	10		S
	6	JSM36	36	25	20	14	S
	12	12JSM36	36	25	20	14	S
Nickel-cadmium	6	JSC18	18	12	–	–	S
	12	12JSC36	36	21	15	12	S
	12	12JSC50	50	36	25	18	S

—  
Unit rating - CEC models

Series	AC specs		AC power stand-by	Voltage	Watts to 87.5% of rated battery voltage <sup>1</sup>			
					1 1/2 hrs	2 hrs	3 hrs	4 hrs
JSM18	120/277VAC	0.09 / 0.04A	0.62W	6V 18W	18	12	9	6
JSM36				6V 36W	36	24	18	13
12JSM36	120/277VAC	0.14 / 0.07A	0.66W	12V 36W	36	24	18	13

<sup>1</sup>National Electrical Code specification

—  
Accessories (order as a separate item)

Description	Suffix
Mounting bracket (S cabinet only)	BJ-E
Wire guard (S cabinet only)	WG1-E
Wire guard (L cabinet only)	WG2-E
Wire guard (front mounted heads)	WG10-EG

<sup>1</sup>S cabinet only, order on separate line

—  
How to order

Color	Series/capacity	# of lamps	Head style	Lamp type/wattage	Options	Approval
Blank= Off white	<b>Lead-calcium</b> JSM18= 6V-18W, lead-calcium	-0= No head	10= Mini	LA= 6V-4W, MR16 LED	-AD= Advanced Diagnostics (audible)	-CEC= CEC Title 20 for California <sup>1</sup>
		-2= Two heads	plastic	MR16		
B= Black	JSM36= 6V-36W, lead-calcium 12JSM36= 12V-36W, lead-calcium		150= EF150 lamp heads	LB= 6V-5W, MR16 LED LG= 12V-4W, MR16 LED LI= 12V-5W, MR16 LED LJ= 12V-6W, MR16 LED	-ADNA= Advanced Diagnostics (non-audible)	
					-NEX= Nexus® wired (contact your sales representative)	
	<b>Nickel-cadmium</b> JSC18= 6V-18W, nickel-cadmium 12JSC36= 12V-36W, nickel-cadmium 12JSC50= 12V-50W, nickel-cadmium				-NEXRF= NEXUS® wireless (contact your sales representative)	
					-C= Line cord 120V 3 feet -D3= Time delay (15 minutes) -FM= Front mounted heads	

Example: JSC18-210LA

<sup>1</sup>Available with lead-calcium models with AD, ADNA or NEXRF only