

JS Series

Steel housing 6V & 12V up to 54W capacities



nexus



Housing

- Steel housing
- Standard off-white finish, optional black finish
- Choice of MR16 LED lamp wattages
- Heads available in thermoplastic or decorative die-cast aluminum

Mounting

- Ceiling or wall mount
- Universal J-box mounting

Electronics

- Pulse plus charger
- Low voltage disconnect
- Automatic brownout protection
- Battery lock-out
- Fused output circuit
- Optional Advanced Diagnostics
- Optional Nexus® monitoring system
- 120/277 60Hz

Choice of battery

- 6V or 12V lead-calcium battery
- 6V or 12V nickel-cadmium battery

Approvals

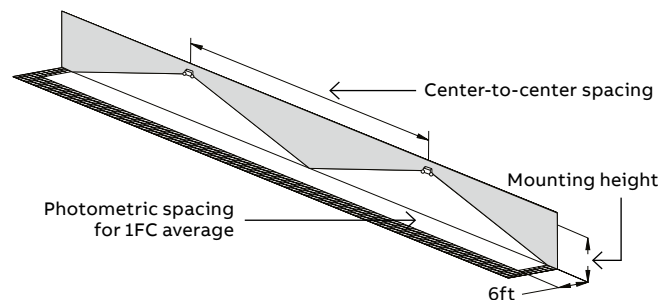
- UL 924 standard
- NYC approved

Warranty

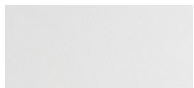
- Unit has a three-year limited warranty
- Detailed warranty terms located on page 178 or online at:
www.emergi-lite.com/usa/files/EL_Warranty.pdf

Photometric performance

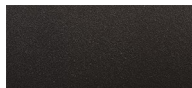
Lamp	Spacing center-to-center (feet)	
	7' mounting height	15' mounting height
LA	43'	36'
LB	81'	64'
LG	55'	43'
LI	71'	56'
LJ	100'	85'



Housing color



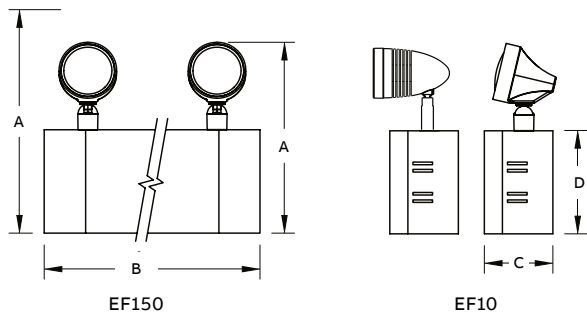
Off white



Black

Dimensions

Dimensions are approximate and subject to change.



Cabinet information

Cabinet size	Dimensions			
	A	B	C	D
S	11-3/8" // 9-3/4"	11"	3-1/2"	5-1/4"
L	12-3/8" // 10-3/4"	12-3/4"	4"	6-1/4"

Unit rating

Sealed maintenance-free battery types	DC voltage	Model number	Battery capacity in watts				Cabinet size
			1 1/2 hrs	2 hrs	3 hrs	4 hrs	
Lead-calcium	6	JSM9	9	6	-	-	S
	6	JSM18	18	12	10		S
	6	JSM27	27	18	14	10	S
	6	JSM36	36	25	20	14	S
	6	JSM54	54	37	28	21	L
	12	12JSM36	36	25	20	14	S
Nickel-cadmium	12	12JSM54	54	37	28	21	L
	6	JSC18	18	12	-	-	S
	6	JSC25	25	18	12	9	S
	12	12JSC36	36	21	15	12	S
	12	12JSC50	50	36	25	18	S

Accessories (order as a separate item)

Description	Suffix
Mounting bracket (S cabinet only)	BJ-E
Wire guard (S cabinet only)	WG1-E
Wire guard (L cabinet only)	WG2-E
Wire guard (front mounted heads)	WG10-EG

¹S cabinet only, order on separate line

How to order

Color	Series/capacity	# of lamps	Head style	Lamp type/wattage	Options
Blank= Off white	Lead-calcium	-0= No head	10= Mini plastic	LA= 6V-4W, MR16 LED	-AD= Advanced Diagnostics (audible)
B= Black	JSM9= 6V-9W, lead-calcium	-1= One head	MR16	LB= 6V-5W, MR16 LED	-ADNA= Advanced Diagnostics (non-audible)
	JSM18= 6V-18W, lead-calcium	-2= Two heads	150= EF150 lamp	LG= 12V-4W, MR16 LED	-NEX= Nexus® wired (contact your sales representative)
	JSM27= 6V-27W, lead-calcium	-3= Three heads	heads	LI= 12V-5W, MR16 LED	-NEXRF= NEXUS® wireless (contact your sales representative)
	JSM36= 6V-36W, lead-calcium			LJ= 12V-6W, MR16 LED	-C= Line cord 120V 3 feet
	JSM54= 6V-54W, lead-calcium				-D3= Time delay (15 minutes)
	12JSM20= 12V-20W, lead-calcium				-FM= Front mounted heads
	12JSM36= 12V-36W, lead-calcium				
	12JSM54= 12V-54W, lead-calcium				
	Nickel-cadmium				
	JSC18= 6V-18W, nickel-cadmium				
	JSC25= 6V-25W, nickel-cadmium				
	12JSC36= 12V-36W, nickel-cadmium				
	12JSC50= 12V-50W, nickel-cadmium				

Example: JSC18-110LA