

New product

EGNL Series

Vandal resistant linear dual-mode battery unit



Housing

- White high impact thermoplastic housing
- Frosted lens

Mounting

- Standard surface ceiling and wall mount
- Optional accessory: semi-recessed ceiling mount

LED information

- Easily adjustable LED strips for multiple beam angles
- 1200-1300 lumen output in emergency

Electronics

- Dual-mode: normal lighting (field selectable) and emergency lighting
- Self-test and self-diagnostic
- Lithium-ion phosphate battery offering 120 minutes of emergency lighting
- Battery over/under charge protection
- Universal voltage 120V through 277Vac-60Hz

Approvals

- Rated for 41°F to 113°F (5°C to 45°C)
- Suitable for wet locations
- Meets IP65 rating
- Meets IK10 rating requirements¹
- ROHS compliant
- UL924 approved

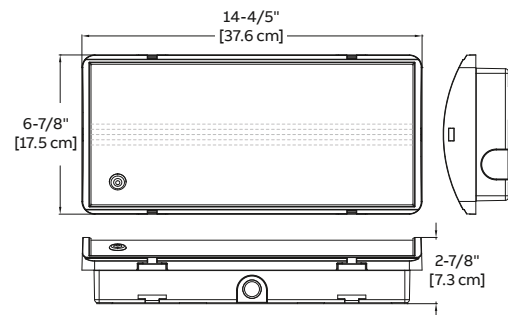
Warranty

- Unit has a three-year warranty
- Detailed warranty terms located online at:
www.emergi-lite.com/usa/files/EL_Warranty.pdf

¹IK ratings refer to impact tests. IK10= Protected against 20 joules of impact (equivalent to 11lbs. of mass dropped from 16" high)

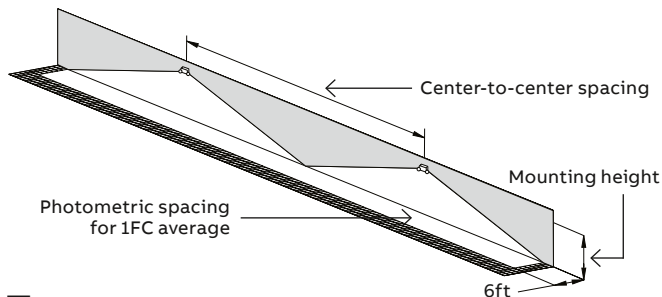
Dimensions

Dimensions are approximate and subject to change.



Spacing

Mounting type	Spacing at 9ft mounting	Lumens
Ceiling mount	62'	1300
Wall mount	53'	1200



Power consumption and unit rating

Status	Voltage	Wattage	Battery
Normal lighting	120-277 volt	16 watts	LifePO 9.6 volt 3200mAh
Emergency lighting		14 watts	

Accessories (order as a separate item)

Description	Suffix
Semi recessed mounting bracket	KIT-SR-E

How to order

Series

EGNL= Linear battery unit EM= Dual-mode: normal lighting and/or emergency lighting

Example: EGNL-EM