

New product

## RAR Series

Remote recessed architectural fixture



### Construction

- Thermoplastic rectangular fixture with additional round trim-plate, white finish
- All-metal backbox enclosure
- Fixed optics, optimized light distribution for ceiling heights up to 12 ft.
- Four high-intensity LED with redundant connections; 140 lm/W, 5000K

### Options

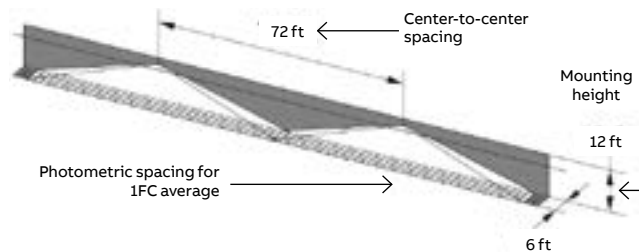
- Plenum-rated enclosure
- Black thermoplastic decorative trim-plates
- Fixed, square distribution pattern

### Photometry performance

The **RAR Series** has a fixed lighting distribution, optimized by design for ceiling heights up to 12 ft. Along an office corridor the space coverage ranges from 68 to 80 feet. The square distribution pattern option covers a surface of more than 700 square feet.

**Table A: Standard unit 6-ft wide corridor<sup>1</sup>**

Mounting height	Spacing center-to-center
9 ft	68 ft
10 ft	80 ft
12 ft	72 ft



### Housing colour



### Mounting

- Easily spring mounted in sheetrock ceiling
- Recessed installation in T-bar suspended ceilings

### Electronics

- AC model compatible with Emergi-Lite® mini inverters
- DC model available with Emergi-Lite® 6-24 battery units

### Approvals

- Listed UL-924 for damp locations: 50° to 104°F (10° to 40°C)
- Listed NSF, splash non-food zone

### Warranty

- Unit has a five-year limited warranty

Detailed warranty terms located online at:

[www.emergi-lite.com/usa/files/EL\\_Warranty.pdf](http://www.emergi-lite.com/usa/files/EL_Warranty.pdf)



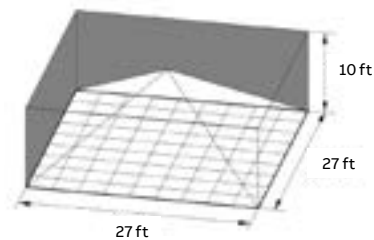
### Power consumption and unit rating

Input (VAC)	Input current (A)	Input power (W)	Power factor
AC			
120	0.060		
240	0.030	7.0	0.95
277	0.025		
Input voltage (VDC)		Input power (W)	
DC			
6-24		6.5	

**Table B: Option "square distribution pattern" – single unit coverage<sup>1</sup>**

Mounting height	Room size	Room surface
10 ft	27 ft x 27 ft	729 square feet

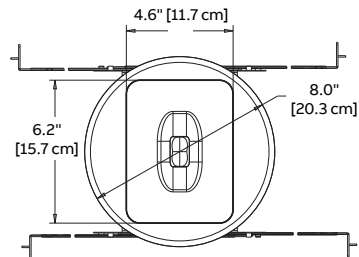
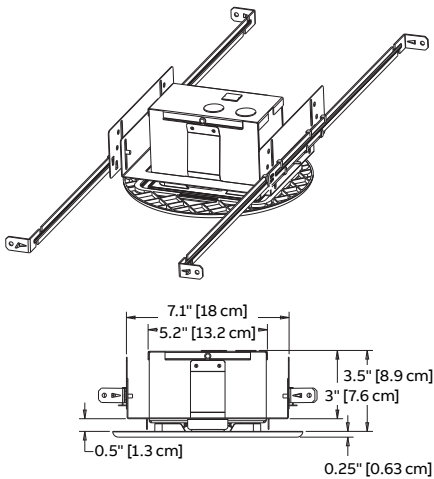
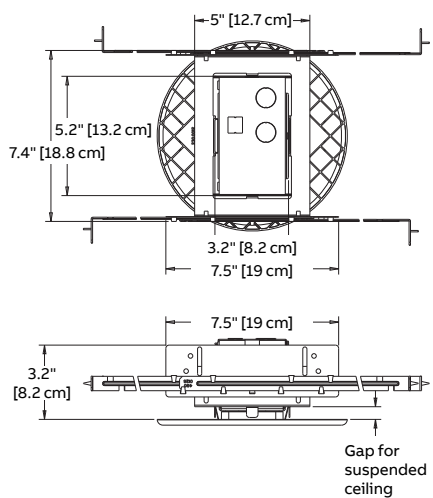
<sup>1</sup>Note: Illumination levels as per the Life Safety Code (NFPA 101): Average 1 fc, Minimum 0.1 fc, Max-to-min ratio 40:1. Typical reflectance levels of walls/ceiling/floor: 80/50/20.



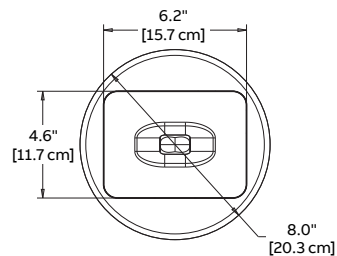
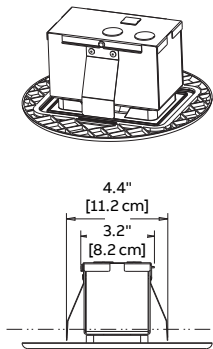
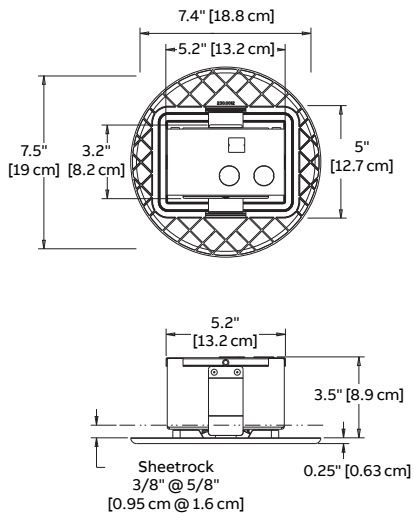
**Dimensions**

Dimensions are approximate and subject to change.

**Recessed suspended ceiling mount**



**Recessed sheetrock ceiling mount**



**How to order**

Color	Series	Input voltage	Options
B= Black W= Factory white	RAR= Recessed architectural remote fixture	AC= 120 to 277VAC, 50/60Hz DC= 6 to 24VDC	Blank= No options P= Plenum/type IC rated SQ= Square distribution pattern

Example: WRARDCP