

### Recessed and Surface Mount LED Exit Combo

#### AC and Self-Powered models



**WARNING:**  
Risk of Electrical Shock.  
Disconnect Power before Installation.




### IMPORTANT SAFEGUARDS

When using electrical equipment, basic safety precautions should always be followed including the following:

### READ AND FOLLOW ALL SAFETY INSTRUCTIONS

1. All servicing should be performed by qualified service personnel.
2. All unused wires must be insulated to prevent shorting.
3. Do not use outdoors.
4. Do not let power supply cords touch hot surfaces.
5. Do not mount near gas or electric heaters.
6. Use caution when handling batteries.
7. Equipment should be mounted in locations and at heights where it will not readily be subjected to tampering by unauthorized personnel.
8. The use of accessory equipment not recommended by the manufacturer may cause an unsafe condition.
9. Do not use this equipment for other than intended use.
10. Allow battery to charge for 24 hours before first use.

### SAVE THESE INSTRUCTIONS



**IMPORTANT:**

This sign shall be installed only where there is adequate colour contrast between the sign legend and the interior wall finish behind the sign, to provide for sufficient visibility.

#### Installation Instructions

1. Turn off AC power.
2. Remove all components from packaging.
3. Refer to proper section according to preferred installation.

#### Recessed Ceiling & Wall Mount

1. Depending on your installation, install the bar hanger assembly as shown in figures 2 or 3.  
Note: when mounting onto a T-bar the bar hanger must be screwed into the T-bar with 4 self-drilling screw (not supplied) as shown in figure 3.
2. Cut rectangular hole in ceiling or wall according to the dimensions stated on the template provided.
3. Adjust height of bracket vertically using adjusting slots and tighten all screws on adjusting slots and bar hanger bracket to secure bar hanger bracket and bar hanger to the housing. Ensure bar hanger assembly is flush to the surface (see fig.4).
4. Remove both j-box / housing covers on the j-box / housing assembly.
5. Remove the knockout on the j-box cover where the AC power will enter and install AC conduit leaving 6 inches of wire (see fig.4).
6. Attach safety harness to the j-box / housing assembly (see fig.4).
7. Make electrical connections (see section **Electrical connections**).
8. Connect the battery connectors together.

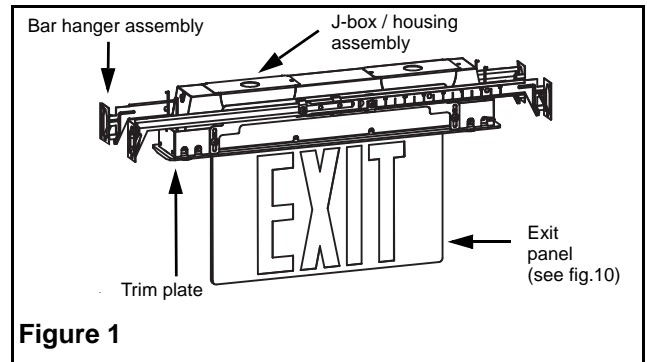


Figure 1

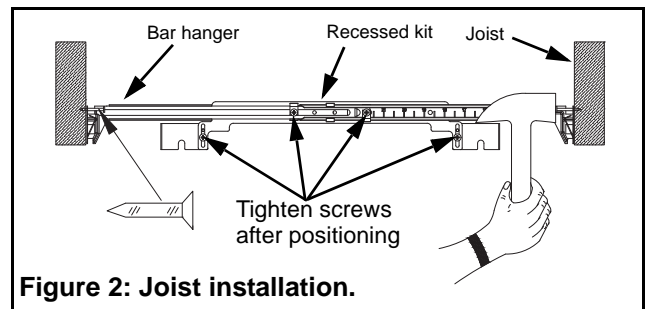


Figure 2: Joist installation.

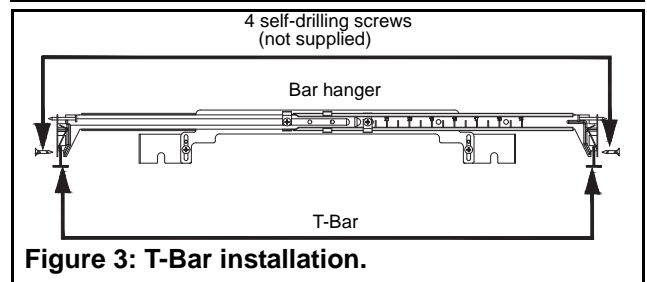


Figure 3: T-Bar installation.

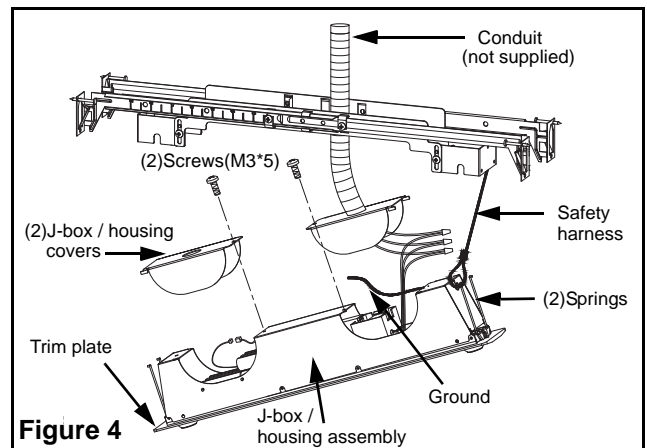


Figure 4

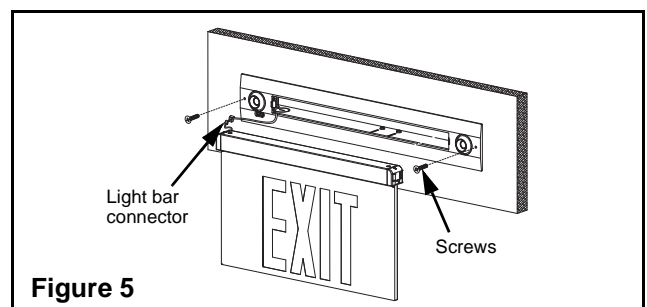


Figure 5

9. Feed wires into j-box / housing assembly and reinstall both j-box covers onto the housing assembly.
10. Reinstall trim plate by compressing the two springs located at each end and inserting them in the bar hanger assembly
11. Screw the two M3\*15 screws into the bar hanger assembly (see fig.6).
12. Connect the light bar connector and snap the light bar into the trim plate (see fig.5 & 6).

### Surface Ceiling & Wall mounting

1. Using the other housing, knockout holes for canopy according to mounting position (top for ceiling, side for wall).
2. Insert the bushing supplied into the center hole.
3. Mount canopy to housing.
4. Attach the crossbar to the junction box with screws ensuring the long blade of the crossbar touches the j-box (not provided).
5. Unscrew (4) four screws holding the j-box / housing assembly together.
6. Remove trimplate from j-box / housing assembly and install it onto the other housing.
7. Route wires out through canopy to connect to j-box wires.
8. Make electrical connections (see section **Electrical connections**).
9. Feed AC supply wires back into j-box.
10. Using provided screws, tighten canopy to the crossbar (see figure 7)
11. Open trimplate and connect the battery wire (see fig.7 & 8).
12. Close trimplate and use the M3\*15 screws to ensure the trimplate will not detach from the housing assembly (see fig.6).
13. Connect the light bar connector and snap the light bar into the trimplate (see fig.7 & 8).

### Electrical connections

Make the proper connections (see fig. 9):

- a. For 120VAC, connect the black and white wires to the building utility.
  - b. For 277VAC, connect the orange and white wires to the building utility.
  - c. Connect the green ground wire to the ground.
  - d. Cap unused wires. In all cases, use suitable wire nuts rated for the applicable voltage to connect to wires.
14. Choose the appropriate EXIT panel and insert into the light bar (fig.10).
  15. If chevrons are needed, remove the film only (fig.10).
  16. If no chevron is needed, remove film and chevron (fig.10).
- This unit comes with a (3) three year limited warranty.

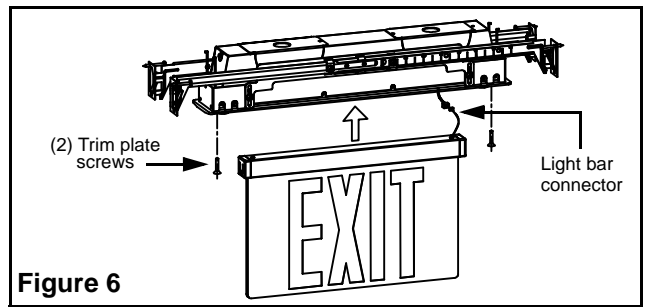


Figure 6

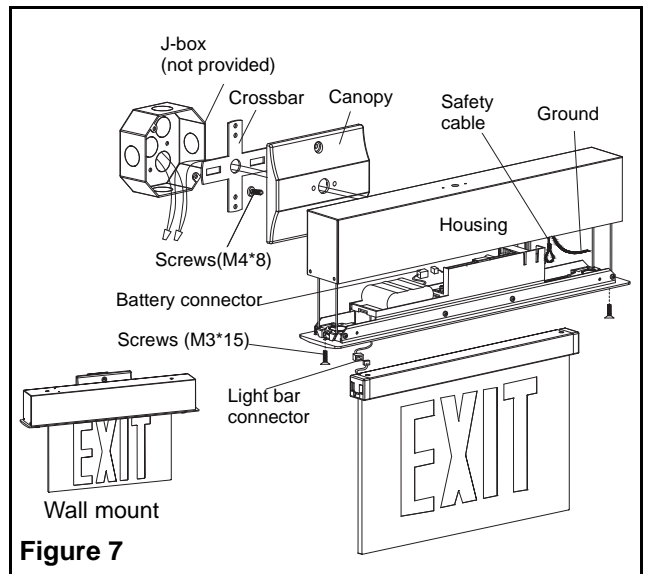


Figure 7

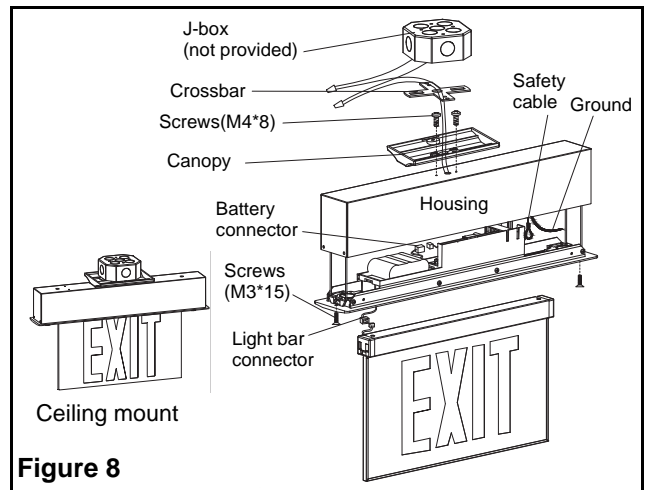


Figure 8

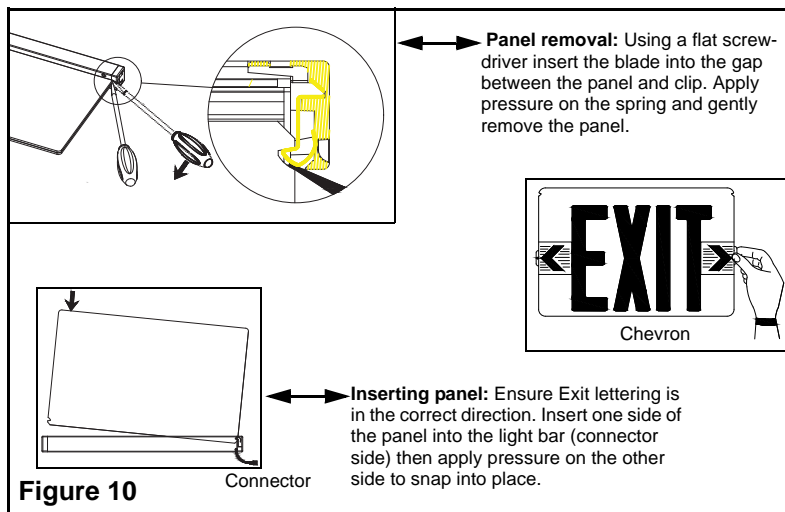


Figure 10

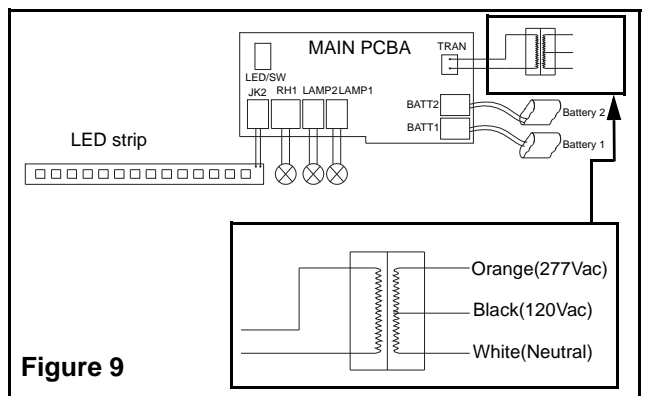


Figure 9