

Total™ Edge Series

Single and double face, surface and recessed mount edge-lit exit sign



Construction

- Extruded aluminum housing
- High grade acrylic panel
- 6 inch EXIT lettering legend, available in red or green
- Field-selectable chevrons
- Satin aluminum housing
- Optional Advanced Diagnostics

Mounting

Universal mount model

- Pivoting panel design allows for recessed, surface, wall or ceiling mount installation
- A ratcheting mechanism allows the panel to be set in place from 0° to 180° for wall or sloped ceiling mounting
- Canopy included for surface wall, end or ceiling mount application
- Easy snap in backbox with securing trim plate allow for sheet rock ceiling installation
- Trim plate, 27 inch adjustable T-bar hangers and a junction box included for recessed application

Approvals

- UL 924 listed
- Damp location 50°F to 104°F (10°C to 40°F)
- Meets NFPA101 (Life Safety Code)
NFPA 70 NEC and OSHA illumination standards

Warranty (subject to proper installation and maintenance)

- Unit has a three-year warranty
Detailed warranty terms located on page 178 of the catalog or online at:
www.emergi-lite.com/usa/files/EL_Warranty.pdf

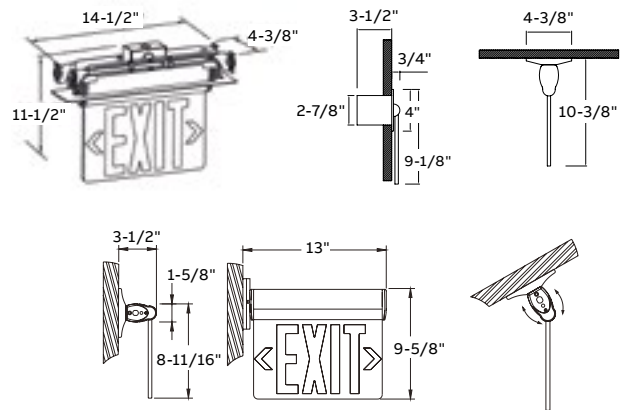
Accessories (order as a separate item)

| Description | Suffix |
|------------------------------|------------|
| Battery | 850.0107-E |
| Pendant white | P*WT |
| Pendant black | P*BK |
| Pendant adapter ¹ | 081886-E |

¹Required for use with pendant

Dimensions

Dimensions are approximate and subject to change.



Power consumption

| Model | AC specs | | DC specs | |
|-----------------------|--------------|----------|---------------|-----------------|
| AC only | 120VAC, 60Hz | 2.0-2.6W | - | - |
| | 277VAC, 60Hz | 2.6-3.1W | - | - |
| Red Self-powered | 120VAC, 60Hz | 2.0-2.6W | Ni-Cd battery | Min. 90 minutes |
| | 277VAC, 60Hz | 2.6-3.1W | Ni-Cd battery | Min. 90 minutes |
| AC only | 120VAC, 60Hz | 2.8-3.3W | - | - |
| | 277VAC, 60Hz | 3.5-4W | - | - |
| Green Self-powered | 120VAC, 60Hz | 2.8-3.3W | Ni-Cd battery | Min. 90 minutes |
| | 277VAC, 60Hz | 3.5-4W | Ni-Cd battery | Min. 90 minutes |

How to order

| Series | Color | Legend | Options |
|---------------------------|--------------------|---|--|
| PA= AC Only | R= Red on mirror | 6= 6" EXIT single and double face with universal chevrons | -AD= Advanced Diagnostics ¹ |
| PN= Self-powered | G= Green on mirror | | |
| PA2= AC only dual circuit | | | |
| Example: PNR6-AD | | | |

¹Only available on self-powered models