

Premier™ Compact Series

Thermoplastic Compact Housing



Housing

- White or black UV stabilized thermoplastic enclosure
- Clear polycarbonate lens covers
- Choice of MR16 LED lamp wattages

Mounting

- Wall mount
Optional: ceiling mount and pendant mount
- Universal J-box mounting

Lamp type

- Two MR16 LED lamps

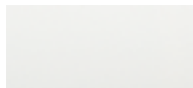
Electronics

- Pulse plus charger
- Low voltage disconnect
- Automatic brownout protection
- Battery lock-out
- Fused output circuit
- Optional Advanced Diagnostics
- Optional Nexus® monitoring system
- 120/277 60Hz

Photometric performance

| Lamp | Spacing center-to-center (feet) | |
|------|---------------------------------|---------------------|
| | 7' mounting height | 15' mounting height |
| LA | 39' | 34' |
| LG | 49' | 39' |
| LI | 68' | 54' |
| LJ | 89' | 80' |

Housing color



White



Black

Choice of battery

- 6V or 12V lead-calcium battery
- 6V or 12V nickel-metal hydride battery

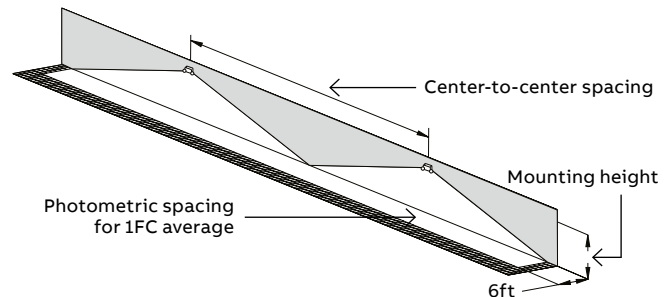
Approvals

- UL 924 listed
- UL 94-5VA flame rated thermoplastic housing
- Damp location listed (50°F to 104°F)
(10°C to 40°C)

Warranty

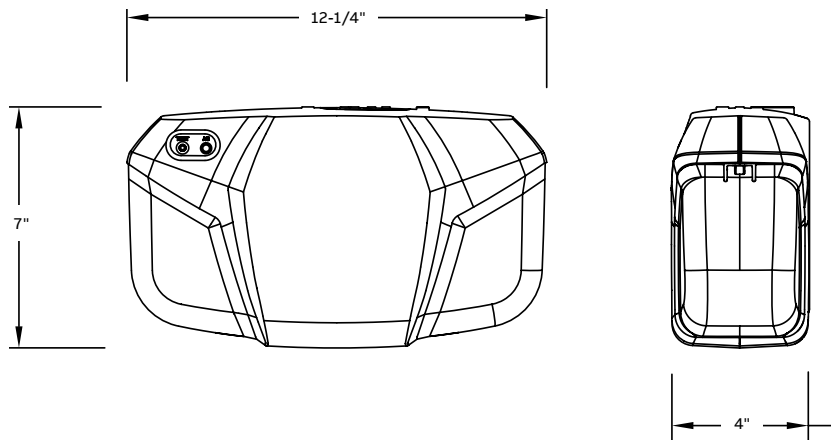
- Unit has a five-year warranty (excluding lamps and fuses)¹
Detailed warranty terms located on page 178 or online at:
www.emergi-lite.com/usa/files/EL_Warranty.pdf

¹For LED lamps warranty, refer to page 178 paragraph 3.3



Dimensions

Dimensions are approximate and subject to change.



Unit rating

| Series | AC Specs | | Battery type | Voltage | Battery capacity in watts | | | |
|----------|----------|--------------|----------------------|---------|---------------------------|-------|-------|-------|
| | AC input | Maximum | | | 1-1/2 hrs | 2 hrs | 3 hrs | 4 hrs |
| MPR10M | | 0.12 / 0.5A | Lead-calcium | 6V-10W | 10W | 7.5W | 5W | 3.3W |
| 12MPR12M | | 0.20 / 0.09A | | 12V-12W | 12W | 9W | 6W | 4W |
| 12MPR20M | 120/277 | 0.20 / 0.09A | | 12V-20W | 20W | 15W | 10W | 6.5W |
| MPR12H | | 0.21 / 0.5A | Nickel-metal hydride | 6V-12W | 12W | 9W | 6W | 4W |
| 12MPR12H | | 0.12 / 0.5A | | 12V-12W | 12W | 9W | 6W | 4W |
| 12MPR24H | | 0.12 / 0.5A | | 12V-24W | 24W | 18W | 12W | 8W |

How to order

| Housing color | Series/capacity | # of lamps | Lamp type/wattage | Unit type | Options |
|--------------------------|--|------------------------------|---|---|---|
| Blank= White B= Black | MPR10M= 6V-10W lead-calcium 12MPR12M= 12V-12W lead-calcium 12MPR20M= 12V-20W lead-calcium MPR12H= 6V-12W nickel-metal hydride 12MPR12H= 12V-12W nickel-metal hydride 12MPR24H= 12V-24W nickel-metal hydride | Blank= No head 2= 2 heads | LA= 2 X 6V-4W, MR16 LED LG= 2 X 12V-4W, MR16 LED LI= 2 X 12V-5W, MR16 LED LJ= 2 X 12V-6W, MR16 LED | Blank= Standard -D= Advanced Diagnostics (non-audible) -DA= Advanced Diagnostics (audible) -NEX= Nexus® wired -NEXRF= NEXUS® wireless | Blank= No option -CM= Ceiling mount -DL= Damp location ¹ -D3= Time delay (15 minutes) -PM= Pendant mount ² -LC= Line cord (maximum 120V only) -15= 120/208/220-240V 50/60Hz input ³ |

Example: 12MPR12M2LJ

¹Not available in MPR10M

²-PM sold separately

³Not available with -NEX and -NEXRF