

Premier™ Compact Series

Thermoplastic Compact Housing



Housing

- UV stabilized corrosion resistant thermoplastic enclosure
- Available in white or black
- Clear scratch resistant polycarbonate lens covers

Mounting

- Wall mount
Optional: ceiling mount and pendant mount
- Universal J-box mounting

Lamp type

- Two MR16 LED lamps

Electronics

- Pulse plus charger
- Low voltage disconnect
- Automatic brownout protection
- Battery lock-out
- Fused output circuit
- Optional Advanced Diagnostics
- Optional Nexus®Pro IoT monitoring system
- Optional Nexus® wired and wireless monitoring system
- 120/277 60Hz

Choice of battery

- 6V or 12V lead-calcium battery
- 6V or 12V nickel-metal hydride battery

Approvals

- UL 924 listed
- UL 94-5VA flame rated thermoplastic housing
- Damp location listed (50°F to 104°F)
(10°C to 40°C)
- BC – California Energy Commission Title 20

Warranty

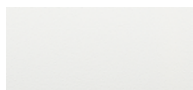
- Unit has a five-year warranty (excluding lamps and fuses)¹
Detailed warranty terms located on page 178 or online at:
www.emergi-lite.com/usa/files/EL_Warranty.pdf

¹For LED lamps warranty, refer to page 178 paragraph 3.3

Photometric performance

Lamp	Spacing center-to-center (feet)	
	7' mounting height	15' mounting height
LA	39'	34'
LB	74'	57'
LG	49'	39'
LI	68'	54'
LJ	89'	80'

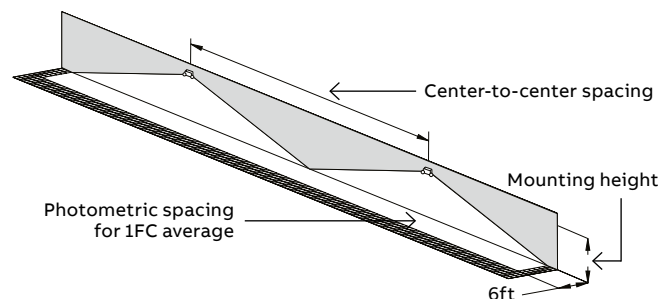
Housing color



White

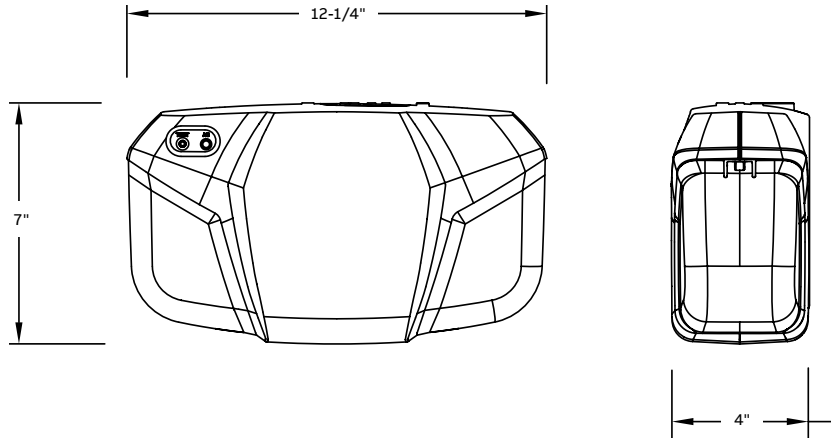


Black



Dimensions

Dimensions are approximate and subject to change.



Unit rating - non-CEC models

Series	AC Specs		Battery type	Voltage	Battery capacity in watts			
	AC input	Maximum			1-1/2 hrs	2 hrs	3 hrs	4 hrs
MPR10M	120/277	0.12 / 0.5A	Lead-calcium	6V-10W	10W	7.5W	5W	3.3W
12MPR12M		0.20 / 0.09A		12V-12W	12W	9W	6W	4W
12MPR20M		0.20 / 0.09A		12V-20W	20W	15W	10W	6.5W
MPR12H		0.21 / 0.5A	Nickel-metal hydride	6V-12W	12W	9W	6W	4W
12MPR12H		0.12 / 0.5A		12V-12W	12W	9W	6W	4W
12MPR24H		0.12 / 0.5A		12V-24W	24W	18W	12W	8W

Unit rating - CEC models

Series	AC specs	AC power stand-by	Voltage	Watts to 87.5% of rated battery voltage ¹				
				1-1/2 hrs	2 hrs	3 hrs	4 hrs	
MPR10M	120/277VAC	0.06 / 0.03A	0.5W	6V-10W	10	7	5	-
12MPR12M		0.1 / 0.05A	0.6W	12V-12W	12	9	6	4
12MPR20M		0.1 / 0.05A	0.6W	12V-20W	20	15	10	6

¹National Electrical Code specification

How to order

Housing color	Series/capacity	# of lamps	Lamp type/wattage	Unit type	Options	Approval
Blank= White	MPR10M= 6V-10W	Blank= No head	LA= 2 X 6V-4W,	Blank= Standard	Blank= No option	-CEC= CEC
B= Black	lead-calcium	2= 2 heads	MR16 LED	-D= Advanced Diagnostics (non-audible)	-CM= Ceiling mount	Title 20 for California ⁵
	12MPR12M= 12V-12W		LB= 2 X 6V-5W,	-DA= Advanced Diagnostics (audible)	-DL= Damp location ²	
	lead-calcium		MR16 LED		-D3= Time delay (15 minutes)	
	12MPR20M= 12V-20W		LG= 2 X 12V-4W,	-NEX= Nexus® wired ¹	-PM= Pendant mount ³	
	lead-calcium		MR16 LED	-NEXP= Nexus®Pro IoT ¹	-LC= Line cord (maximum 120V only)	
	MPR12H= 6V-12W		LI= 2 X 12V-5W,	-NEXRF= NEXUS® wireless ¹	-15= 120/208/220-240V 50/60Hz input ⁴	
	nickel-metal hydride		MR16 LED			
	12MPR12H= 12V-12W		LJ= 2 X 12V-6W,			
	nickel-metal hydride		MR16 LED			
	12MPR24H= 12V-24W					
	nickel-metal hydride					

Example: 12MPR12M2LJ

¹Consult you sales representative

²Not available in MPR10M

³Pendant kit sold separately

⁴Not available with -NEX and -NEXRF

⁵Available with lead-calcium models only