

Premier™ Compact Series

Thermoplastic Compact Housing



Housing

- White or black UV stabilized thermoplastic enclosure
- Clear polycarbonate lens covers
- Choice of MR16 LED lamp wattages

Mounting

- Wall mount
Optional: ceiling mount and pendant mount
- Universal J-box mounting

Lamp type

- Two MR16 LED lamps

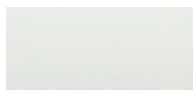
Electronics

- Pulse plus charger
- Low voltage disconnect
- Automatic brownout protection
- Battery lock-out
- Fused output circuit
- Optional Advanced Diagnostics
- Optional Nexus®Pro IoT monitoring system
- Optional Nexus® wired and wireless monitoring system
- 120/277 60Hz

Photometric performance

Lamp	Spacing center-to-center (feet)	
	7' mounting height	15' mounting height
LA	39'	34'
LB	74'	57'
LG	49'	39'
LI	68'	54'
LJ	89'	80'

Housing color



White



Black

Choice of battery

- 6V or 12V lead-calcium battery
- 6V or 12V nickel-metal hydride battery

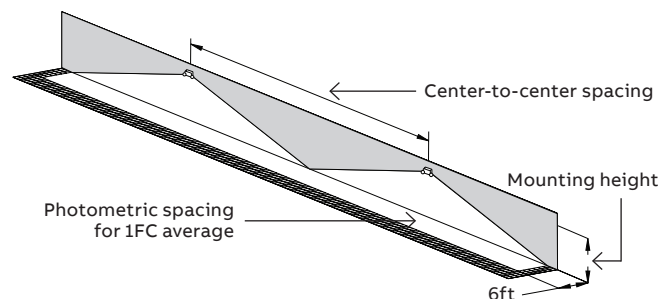
Approvals

- UL 924 listed
- UL 94-5VA flame rated thermoplastic housing
- Damp location listed (50°F to 104°F)
(10°C to 40°C)
- BC – California Energy Commission Title 20

Warranty

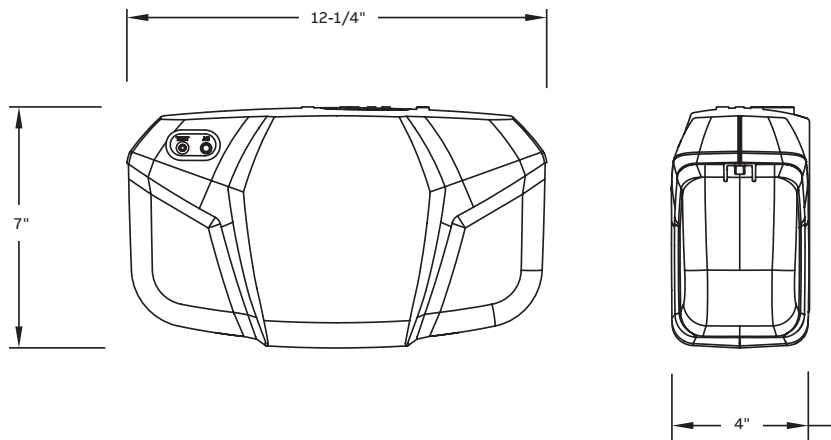
- Unit has a five-year warranty (excluding lamps and fuses)¹
Detailed warranty terms located on page 178 or online at:
www.emergi-lite.com/usa/files/EL_Warranty.pdf

¹For LED lamps warranty, refer to page 178 paragraph 3.3



Dimensions

Dimensions are approximate and subject to change.



Unit rating - non-CEC models

Series	AC Specs		Battery type	Voltage	Battery capacity in watts			
	AC input	Maximum			1-1/2 hrs	2 hrs	3 hrs	4 hrs
MPR10M	120/277	0.12 / 0.5A	Lead-calcium	6V-10W	10W	7.5W	5W	3.3W
12MPR12M		0.20 / 0.09A		12V-12W	12W	9W	6W	4W
12MPR20M		0.20 / 0.09A		12V-20W	20W	15W	10W	6.5W
MPR12H		0.21 / 0.5A	Nickel-metal hydride	6V-12W	12W	9W	6W	4W
12MPR12H		0.12 / 0.5A		12V-12W	12W	9W	6W	4W
12MPR24H		0.12 / 0.5A		12V-24W	24W	18W	12W	8W

Unit rating - CEC models

Series	AC specs	AC power stand-by	Voltage	Watts to 87.5% of rated battery voltage ¹				
				1-1/2 hrs	2 hrs	3 hrs	4 hrs	
MPR10M	120/277VAC	0.06 / 0.03A	0.5W	6V-10W	10	7	5	-
12MPR12M		0.1 / 0.05A	0.6W	12V-12W	12	9	6	4
12MPR20M		0.1 / 0.05A	0.6W	12V-20W	20	15	10	6

¹National Electrical Code specification

How to order

Housing color	Series/capacity	# of lamps	Lamp type/wattage	Unit type	Options	Approval
Blank= White	MPR10M= 6V-10W	Blank= No head	LA= 2 X 6V-4W,	Blank= Standard	Blank= No option	-CEC= CEC
B= Black	lead-calcium	2= 2 heads	MR16 LED	-D= Advanced Diagnostics (non-audible)	-CM= Ceiling mount	Title 20 for California ⁵
	12MPR12M= 12V-12W		LB= 2 X 6V-5W,	-DA= Advanced Diagnostics (audible)	-DL= Damp location ²	
	lead-calcium		MR16 LED		-D3= Time delay (15 minutes)	
	12MPR20M= 12V-20W		LG= 2 X 12V-4W,	-NEX= Nexus® wired ¹	-PM= Pendant mount ³	
	lead-calcium		MR16 LED	-NEXP= Nexus®Pro IoT ¹	-LC= Line cord (maximum 120V only)	
	MPR12H= 6V-12W		LI= 2 X 12V-5W,	-NEXRF= NEXUS® wireless ¹	-15= 120/208/220-240V 50/60Hz input ⁴	
	nickel-metal hydride		MR16 LED			
	12MPR12H= 12V-12W		LJ= 2 X 12V-6W,			
	nickel-metal hydride		MR16 LED			
	12MPR24H= 12V-24W					
	nickel-metal hydride					

Example: 12MPR12M2LJ

¹Consult you sales representative

²Not available in MPR10M

³Pendant kit sold separately

⁴Not available with -NEX and -NEXRF

⁵Available with lead-calcium models only