

Premier™ Compact Series

Thermoplastic Compact Housing



Housing

- White or black UV stabilized thermoplastic enclosure
- Clear polycarbonate lens covers
- Choice of MR16 LED lamp wattages

Mounting

- Wall mount
Optional: ceiling mount and pendant mount
- Universal J-box mounting

Lamp type

- Two MR16 LED lamps

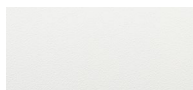
Electronics

- Pulse plus charger
- Low voltage disconnect
- Automatic brownout protection
- Battery lock-out
- Fused output circuit
- Optional Advanced Diagnostics
- Optional Nexus® monitoring system
- 120/277 60Hz

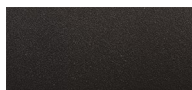
Photometric performance

Lamp	Spacing center-to-center (feet)	
	7' mounting height	15' mounting height
LA	39'	34'
LB	74'	57'
LG	49'	39'
LI	68'	54'
LJ	89'	80'

Housing color



White



Black

Choice of battery

- 6V or 12V lead-calcium battery
- 6V or 12V nickel-metal hydride battery

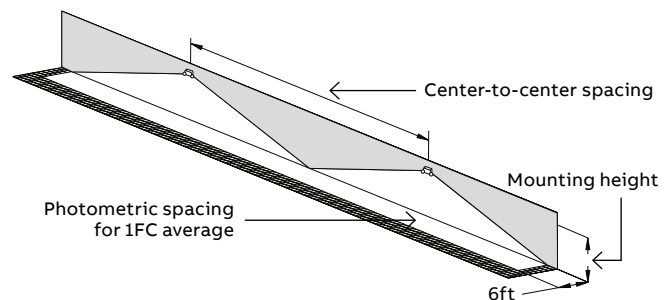
Approvals

- UL 924 listed
- UL 94-5VA flame rated thermoplastic housing
- Damp location listed (50°F to 104°F)
(10°C to 40°C)

Warranty

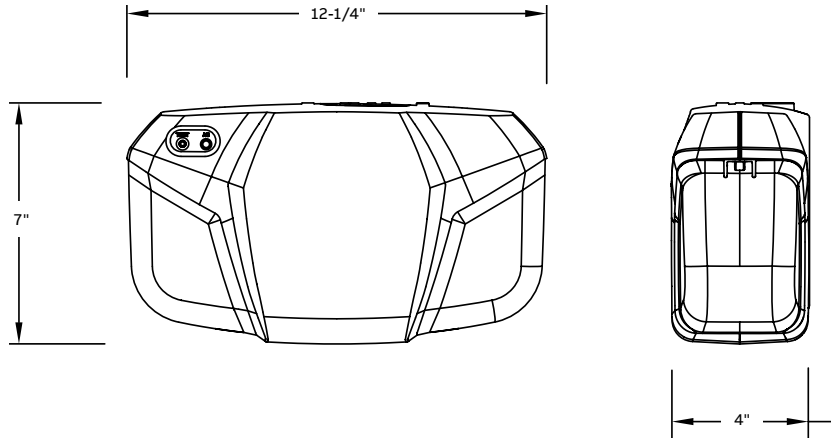
- Unit has a five-year warranty (excluding lamps and fuses)¹
Detailed warranty terms located on page 178 or online at:
www.emergi-lite.com/usa/files/EL_Warranty.pdf

¹For LED lamps warranty, refer to page 178 paragraph 3.3



Dimensions

Dimensions are approximate and subject to change.



Unit rating

Series	AC Specs		Battery type	Voltage	Battery capacity in watts			
	AC input	Maximum			1-1/2 hrs	2 hrs	3 hrs	4 hrs
MPR10M		0.12 / 0.5A		6V-10W	10W	7.5W	5W	3.3W
12MPR12M		0.20 / 0.09A	Lead-calcium	12V-12W	12W	9W	6W	4W
12MPR20M	120/277	0.20 / 0.09A		12V-20W	20W	15W	10W	6.5W
MPR12H		0.21 / 0.5A		6V-12W	12W	9W	6W	4W
12MPR12H		0.12 / 0.5A	Nickel-metal hydride	12V-12W	12W	9W	6W	4W
12MPR24H		0.12 / 0.5A		12V-24W	24W	18W	12W	8W

How to order

Housing color	Series/capacity	# of lamps	Lamp type/wattage	Unit type	Options
Blank= White B= Black	MPR10M= 6V-10W lead-calcium 12MPR12M= 12V-12W lead-calcium 12MPR20M= 12V-20W lead-calcium MPR12H= 6V-12W nickel-metal hydride 12MPR12H= 12V-12W nickel-metal hydride 12MPR24H= 12V-24W nickel-metal hydride	Blank= No head 2= 2 heads	LA= 2 X 6V-4W, MR16 LED LB= 2 X 6V-5W, MR16 LED LG= 2 X 12V-4W, MR16 LED LI= 2 X 12V-5W, MR16 LED LJ= 2 X 12V-6W, MR16 LED	Blank= Standard -D= Advanced Diagnostics (non-audible) -DA= Advanced Diagnostics (audible) -NEX= Nexus® wired -NEXRF= NEXUS® wireless	Blank= No option -CM= Ceiling mount -DL= Damp location ¹ -D3= Time delay (15 minutes) -PM= Pendant mount ² -LC= Line cord (maximum 120V only) -15= 120/208/220-240V 50/60Hz input ³

Example: 12MPR12M2LJ

¹Not available in MPR10M

²Pendant kit sold separately

³Not available with -NEX and -NEXRF