

HPHRL Series Hazardous Locations

Class I Division 2, Class II Division 2, Class III high-performance remote fixture



Photometry performance

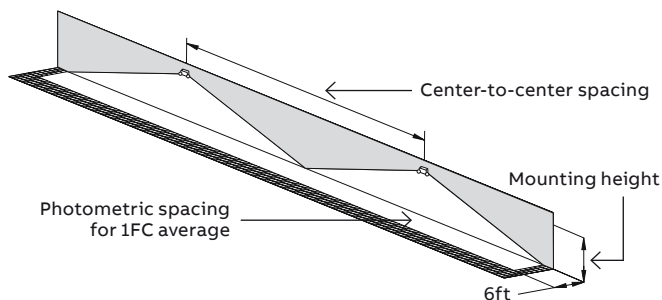
Whether installed indoors or outdoors, the HP Series of LED emergency lights deliver a stable and consistent illumination on the path of egress for a wide range of mounting heights. Depending on the application, one may select and specify among three levels of lumen output. See cross reference to traditional incandescent emergency lights below.

—
Spacing center-to-center (feet)

Mounting height	Spacing center-to-center (feet)
10 ft	140
15 ft	135
20 ft	130
25 ft	120

Industrial environment: wall mounted equipment, reflectances: 10/10/10; 6-ft wide illumination path. Illumination as per NFPA101; Average: 1fc; Min: 0.1fc; Max/min < 40:1

LED head	Power	Total lumens	Out-perform spacing of incandescent lamps
L15	15W	1300	50W MR16-IR halogen



Description

- Lightweight polycarbonate gray housing and fully adjustable
- Die-cast aluminum heads designed for Class I Division 2 Groups A, B, C and D, Class II Division 2, Groups F & G and Class III applications facilities
- Can be installed in varied temperature conditions: -40°F to 131°F (-40°C to 55°C)
- High-efficacy LED emergency heads outperform traditional 50W incandescent lamps
- Innovative head design: four-LED and dual-driver provide illumination even in case of unexpected component failure
- Simple and easy to install on building walls, columns, struts, etc. On vertical position for columns use mounting bracket (order separately catalog number: PMK1-E)

Approvals

- UL 924 listed
- Listed UL 844 Standard for Class I Division 2 Groups A, B, C & D, Class II Division 2, Groups F & G and Class III

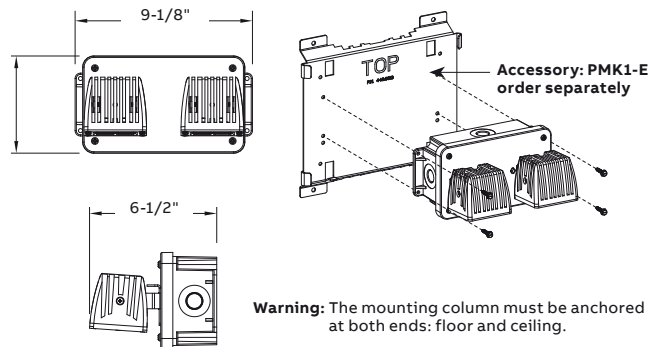
Warranty

- Unit has a five-year limited warranty
- Detailed warranty terms located on page 178 or online at: www.emergi-lite.com/usa/files/EL_Warranty.pdf



Dimensions

Dimensions are approximate and subject to change.



How to order

Series	# of heads	Lamp type/ wattage
HPHRL= High-performance hazardous location remote	D= Double head	L15 = 12-24V – 15W (1300 lumens)

Example: HPHRLDL15