

HPH Series

High-performance battery unit NEMA-4X for hazardous, damp & wet locations



Housing

- Class I, Div. 2, Groups A, B, C & D, Class II Div. 2, Groups F & G, Class III
- Compact gray fiberglass housing with captive screws
- NEMA-4X rated
- All external fasteners and hardware are constructed of stainless steel
- Die-cast aluminum LED heads

Mounting

- Simple and easy to install on walls, poles, columns, struts also on vertical
- Pole or column installation bracket sold separately (order catalog number: PMK1-E)
- 1/2" NPT conduit entry on top or side

Performance

- High temperature lead-calcium battery operates 32°F to 122°F (0°C to 50°C) and nickel-cadmium battery operates 50°F to 104°F (10°C to 40°C); optional cold-weather -40°F to 122°F (-40°C to 50°C)
- 6W, 10W and 15W high efficacy LED emergency heads outperform traditional 50W MR16-IR halogen
- Innovative head design: four-LED and dual-driver provide illumination even in case of unexpected component failure

Classification for hazardous locations

Lamp rating	Temperature code	Maximum temperature		Replacement part #
		Nickel-cadmium Ta= 104°F/40°C	Lead-acid Ta= 122°F/50°C	
L15 (15W)	Class I Division 2 Groups A, B, C and D	T3C	T3A	T3A T5
	Class II Division 2 Groups F and G; Class III	T5		
No heads	Class I Division 2 Groups A, B, C and D		T4A	T4A T6
	Class II Division 2 Groups F and G; Class III		T6	

Electronics

- Infra-red remote control included in all models: allows testing the equipment without the need to climb a ladder. Distance range up to 30 ft. Universal, one remote control may test all the units on the job
- Pulse plus charger
- Low voltage disconnect
- Automatic brownout protection
- Battery lock-out
- Fused output circuit
- Standard Advanced Diagnostics
- Optional Nexus® monitoring system
- 120/277 60Hz

Approvals

- UL 924 listed
- Listed to the UL844 Standard for Class I, Division 2, Groups A, B, C & D, Class II, Division 2, Groups F & G and Class III
- Temperature code: T3C

Warranty

- Unit has five-year limited warranty
- Detailed warranty terms located on page 178 or online at: www.emergi-lite.com/usa/files/EL_Warranty.pdf

Remote test control



Power consumption

Temperature	Specs
Standard temperature range	120/277VAC, 60Hz, 0.30/0.15A
Cold-weather option	120/277VAC, 60Hz, 0.70/0.35A

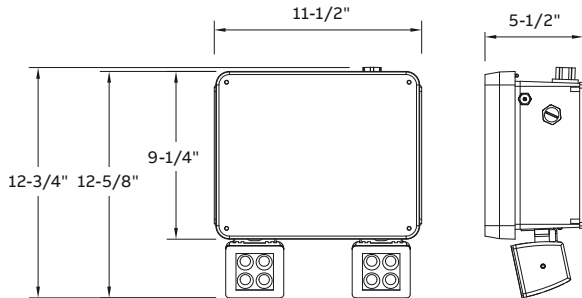
Unit rating

Model	Battery capacity in watts ¹			
	1-1/2 hrs	2 hrs	3 hrs	4 hrs
12HPHM30	30	20	15	10
12HPHM60	60	40	30	20
12HPHN40	40	36	24	18
24HPHN90	90	72	48	36

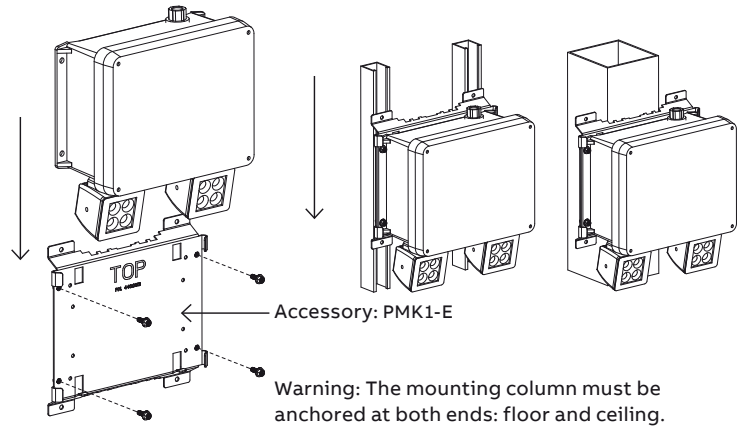
¹The cold-weather option is only rated for 90 minutes

Dimensions

Dimensions are approximate and subject to change.



Installation



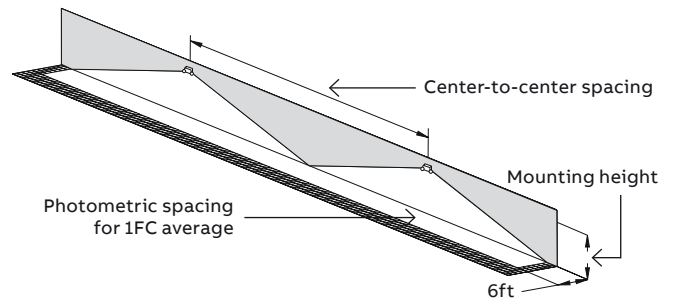
Photometric performance

Whether installed indoors or outdoors, the **HPH Series** of LED emergency lights deliver a stable and consistent illumination on the path of egress for a wide range of mounting heights.

Mounting height	Spacing center-to-center (feet)	
	Lamp L15 / 15W, 1300LM	
10 ft.	140	
15 ft.	135	
20 ft.	130	
25 ft.	120	

Industrial environment: wall mounted equipment, reflectances: 10/10/10; 6-ft. wide illumination path. 200 ft. X 200 ft. X 30 ft. space. Illumination as per NFPA101; Average: 1fc; Min: 0.1fc; Max/min < 40:1

LED head	Power	Total lumens	Out-perform spacing of incandescent lamps
L15	15W	1300	50W MR16-IR halogen



How to order

Series	Battery type and capacity	# of heads	LED heads	Diagnostic	Options
12HPH = 12V high-performance Cl. I Div.2, Cl. II Div.2, Cl. III	Lead-calcium	0= No head 1= One head 2= Two heads	L15 = 12-24V, 15W (1300 Lumens)	D = Advanced Diagnostic, non-audible ¹ DA = Advanced Diagnostic, audible ¹ -NEX = Nexus® wired (contact your sales representative) ¹ -NEXRF = NEXUS® wireless (contact your sales representative) ¹ ND = No Advanced Diagnostic	D3 = Time delay 15 min. RFI = Radio frequency interference filter CW4 = Cold-weather package -40°C / -40°F*
	M30 = 12V-30W, lead-calcium battery 32°F to 122°F [0... 50°C]				
	M60 = 12V-60W, lead-calcium battery 32°F to 122°F [0... 50°C]				
24HPH = 24V high-performance	Nickel-cadmium				
	N40 = 12V-40W, nickel-cadmium battery 50°F to 104°F [10... 40°C]				
	N90 = 24V-90W, nickel-cadmium battery, temperature= 50°F to 104°F [10...40°C]				

Example: 12HPN402L15DRFI

To order separately: Universal mounting bracket: PMK1-E

¹Standard - minimum load required: 20% of load capacity
²Only 12V equipment