

HPRL Series

NEMA-4X, high-performance industrial remote unit



NEMA-4X 

Housing

- Lightweight polycarbonate gray housing with captive screws
- NEMA-4X protection grade
- All external fasteners and hardware are constructed of stainless steel
- Die-cast aluminum LED heads

Mounting

- Simple and easy to install on walls, poles, columns, struts also on vertical
- Pole or column installation bracket sold separately (order catalog number: PMK1-E)
- 1/2 NPT NPT conduit entry on top or side

Performance

- 6W, 10W and 15W high efficacy LED emergency heads
- 15W head outperforms traditional 50W MR16 halogen
- Innovative head design: four-LED and dual-driver provide illumination even in case of unexpected component failure

Approvals

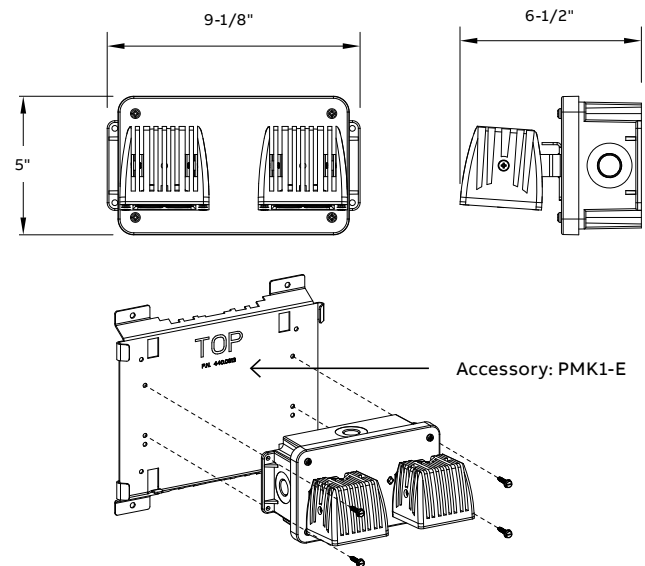
- UL 924 Listed
- Can be installed in wide temperature range:
- -40°F to 131°F (-40°C to 55°C)

Warranty

- Unit has a five-year limited warranty
- Detailed warranty terms located on page 202 or online at: www.emergi-lite.com/usa/files/EL_Warranty.pdf

Dimensions

Dimensions are approximate and subject to change.



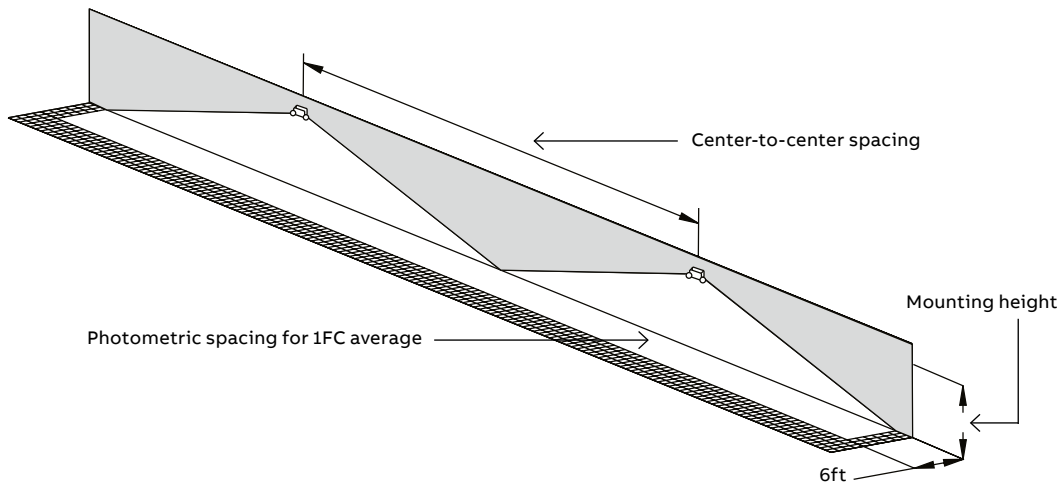
Photometric performance

Whether installed indoors or outdoors, the **HP Series** of LED emergency lights deliver a stable and consistent illumination on the path of egress for a wide range of mounting heights. Depending on the application, one may select and specify among three levels of lumen output. See cross reference to traditional incandescent emergency lights below.

LED head	Power	Total lumens	Out-perform spacing of incandescent lamps
L6	6W	565	35W PAR36, MR16 halogen
L10	10W	1000	50W PAR36, MR16 halogen
L15	15W	1300	50W MR16-IR halogen

Industrial environment: wall mounted equipment,
 reflectances: 10/10/10; 6-ft. wide illumination path.
 200 ft. X 200 ft. X 30 ft. space.
 Illumination as per NFPA101;
 Average: 1fc; Min: 0.1fc; Max/min < 40:1

Mounting height	Spacing center-to-center (feet)		
	Lamp L6 / 6W, 565LM	Lamp L10 / 10W, 1000LM	Lamp L15 / 15W, 1300LM
10 ft.	80	110	140
15 ft.	70	105	135
20 ft.	60	100	130
25 ft.	50	95	120



How to order

Series	Number of heads	LED head
HPRL= High-performance remote lightweight	Blank = Single head D = Double head	L6 = 12-24V – 6W (565 lumens) L10 = 12-24V – 10W (1000 lumens) L15 = 12-24V – 15W (1300 lumens)

Example: HPRLDL10