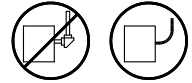


NEW YORK APPROVED COMBO EXIT SIGN

Use Flexible Conduit Only



IMPORTANT SAFEGUARDS

When using electrical equipment, basic safety precautions should always be followed including the following:

READ AND FOLLOW ALL SAFETY INSTRUCTIONS

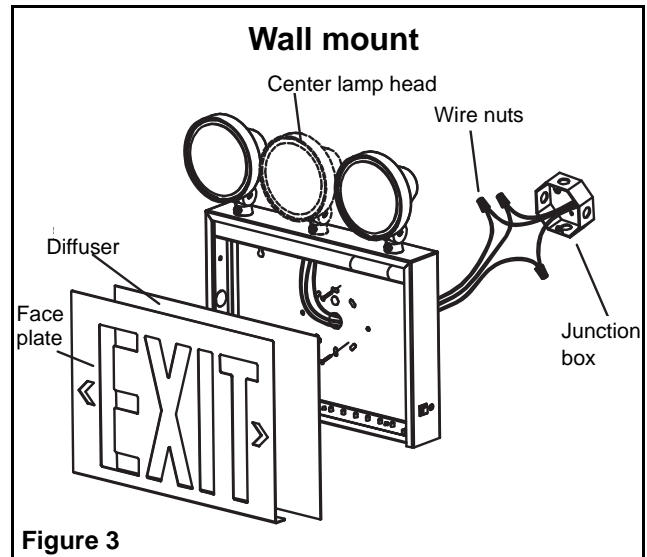
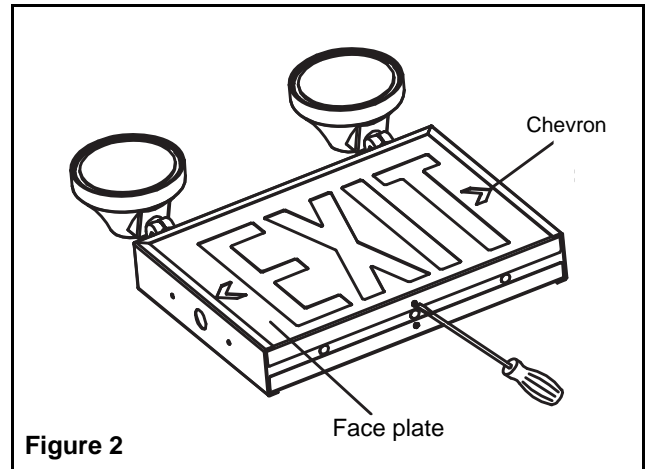
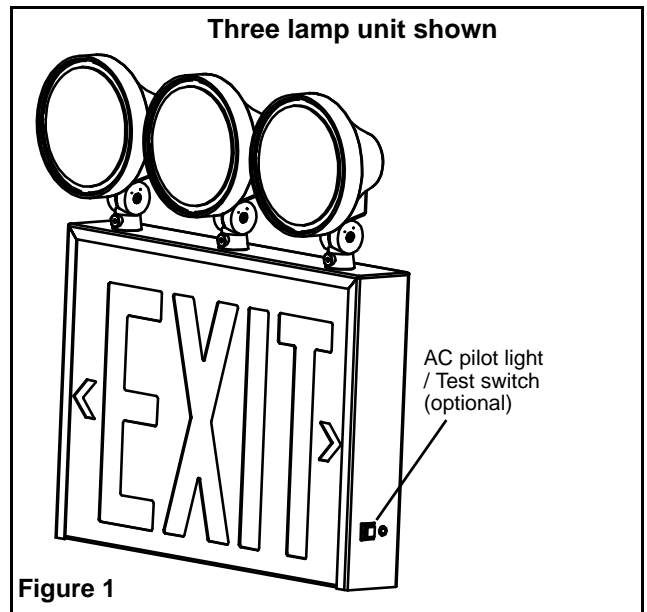
1. All servicing should be performed by qualified service personnel.
2. All unused wires must be insulated to prevent shorting.
3. Do not use outdoors.
4. Do not let power supply cords touch hot surfaces.
5. Do not mount near gas or electric heaters.
6. Use caution when handling batteries. Avoid possible shorting.
7. Equipment should be mounted in locations and at heights where it will not readily be subjected to tampering by unauthorized personnel.
8. The use of accessory equipment not recommended by the manufacturer may cause an unsafe condition.
9. Do not use this equipment for other than intended use.
10. Allow battery to charge for 24 hours before first use.
11. Unit to be installed only as per configuration described in this instruction manual.

SAVE THESE INSTRUCTIONS

Installation Instructions

i IMPORTANT: Install product no higher than the maximum mounting height of 10 feet from the floor.

1. Turn off AC power.
2. Route AC circuit of rated voltage into the junction box and leave 6" wire length.
3. To remove the face plate: unscrew the screw on the bottom of the face plate and slide it out.
4. Remove the appropriate chevron(s) on the exit sign by supporting the face plate on either side of the chevron and knock out carefully with a screwdriver.
5. For double face units: remove the back plate and replace it with the second face plate provided (end mount only).
6. For three lamp head installation: knocking out the middle square knockout on the top and install the third lamp head. Connect lamp wires to PCBA (see figure 6).



Wall mounting (see figure 3)

- a. Knock out the proper hole pattern in the back plate to mount to a standard junction box. Place a support on either side of the knockout to be removed and then knock out with a screwdriver.
- b. Feed AC supply leads in through the center knockout.
- c. Mount the unit securely to the junction box using the junction box screws.

End mounting (see figure 4)

- a. Fasten the spider plate to the junction box using the junction box screws.
 - b. Remove the proper knockouts in the frame for the canopy with a hammer and screwdriver. The knockouts are located on the side.
 - c. Fasten the canopy to the frame using #8-32 screws and keps nuts provided.
 - d. Route AC wires in through the large hole of the frame canopy assembly.
 - e. Connect the green ground wire to the service ground or the ground connection in the junction box and make all electrical connections inside the junction box (see step 5).
 - f. Install the frame canopy assembly to the two threaded holes in the spider plate using the #8-32 screws provided.
7. Our system can accept input voltages of 120 VAC or 277 VAC. Therefore, connect the black (120 VAC) or orange (277 VAC) and white (common) leads to the building utility. Connect the green ground wire to the service ground (see figure 6).
 8. Feed excess wire into the junction box.
 9. Connect battery connector to the PCBA (see figure 5).
 10. Re-install the face plate and diffuser.
 11. Turn on AC supply and press test switch, LED lamps will turn on.
 12. Adjust lamp heads to desired position.

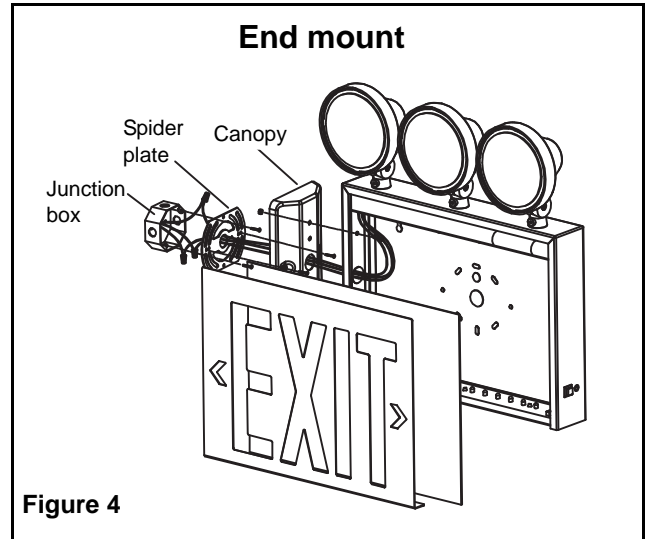


Figure 4

Battery and lamp connections

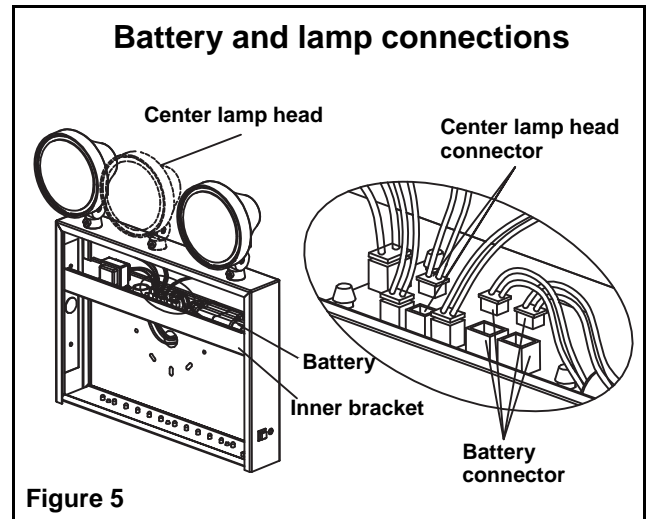


Figure 5

Manual Testing (self-powered models)

Press test switch, the pilot light will turn off and LED heads will turn on. Release test switch, pilot light will turn on and the LED heads will turn off.

Maintenance

None required. Unit should be tested monthly in accordance with safety codes and local codes. If AC supply to the unit is to be disconnected for 2 months or more, the battery must be disconnected (self-powered models only).

Trouble shooting guide

If LED heads or LED indicator does not illuminate, check the following:

1. Check AC supply.
2. Unit has shorted or battery is not connected.
3. Battery discharge. Connect unit to AC supply and allow battery to charge for 24 hours before re-testing.
4. If above trouble shooting hints do not solve your problem, contact factory for assistance.

This unit comes with a (3) three year limited warranty.

Wiring

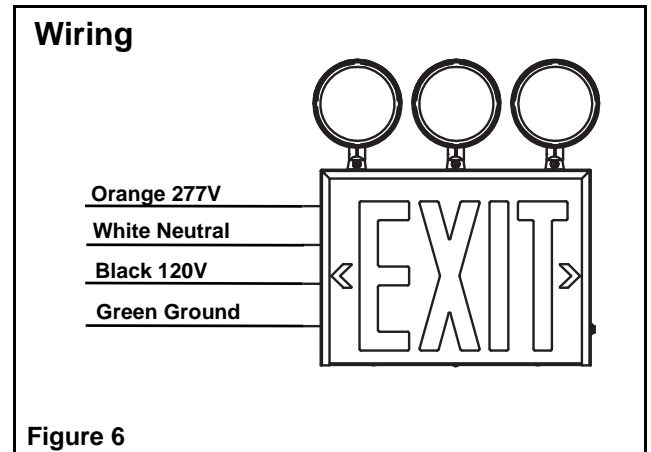


Figure 6