

Mini-Revelation™ Series

The full retrofit unseen solution – 12V-40W capacities



Housing

- Galvanized steel back-box
- Easy access to internal components
- Head assembly door and trim plate powder coated in a white finish
- Finish can be customized on site with paint or wallpaper
- Choice of various 12 volt MR16 LED lamp wattages
- Complete 360° head assembly door rotation
- Slip gear mechanism protects unit and objects against forcible stops

Mounting

- Recessed wall with cavity mount (retrofit into finished wall)
- Designed to install into an 8-1/4" by 5-3/4" inch opening
- Key-hole slot for ease of installation

Electronics

- Pulse plus charger
- Low voltage disconnect
- Automatic brownout protection
- Battery lock-out
- Fused output circuit
- Standard Advanced Diagnostics
- 120/277 60Hz

Choice of sealed maintenance-free battery

- 12V lead-calcium battery
- 12V nickel-cadmium battery

Approvals

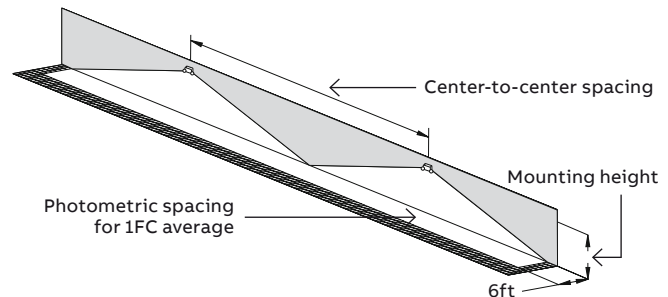
- CSA-US (to UL 924 standards)
- NYC approved

Warranty

- Unit has a five-year limited warranty
- Detailed warranty terms located on page 178 or online at:
www.emergi-lite.com/usa/files/EL_Warranty.pdf

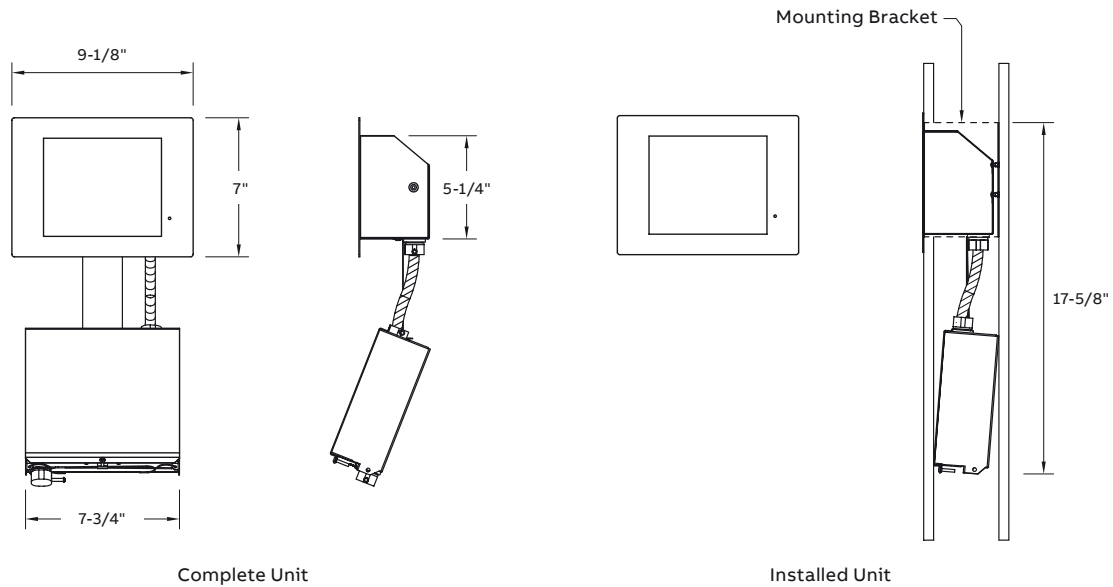
Photometric performance

Lamp	Spacing center-to-center (feet)	
	7' mounting height	15' mounting height
LG	55'	43'
LI	71'	56'
LJ	100'	85'
50H	160'	171'



Dimensions

Dimensions are approximate and subject to change.



Power consumption

Model	AC input	Input current	Maximum	Stand-by (Ni-Cd, NiMH) ¹	
			Input power	Input current	Input power
MRT40	120VAC	0.25A	30W	0.1A	11W
	277VAC	0.12A	30W	0.05A	11W
MRTG	120VAC	0.95A	110W ²	-	-
	277VAC	0.45A	110W ²	-	-

¹Stand-by power consumption is 50% lower for lead-calcium batteries
²Maximum power when equipped with 2 x 50W lamps (generator unit)

Unit rating

Model	Watts to 87-1/2% of rated battery voltage ¹			
	1-1/2 hrs	2 hrs	4 hrs	8 hrs
MRT-40	40	30	24	-

¹National Electrical Code specification

Accessories (order as a separate item)

Description	Suffix
Remote test switch (metal face plate)	RTS
Remote test switch (plastic face plate)	RTS-1

How to order

Series	Battery type	Unit capacity	AC input	Lamp type/wattage	Options
Battery unit= MRT	M= Lead-calcium N= Nickel-cadmium	40= 12V-40W	Blank= 120/277VAC	-2 (LG)= MR16 LED, 12V-4W -2 (LI)= MR16 LED, 12V-5W -2 (LJ)= MR16 LED, 12V-6W	-AD= Advanced Diagnostics (audible) ¹ -ADNA= Advanced Diagnostics (non-audible) ¹ -D3= Time delay (15 minutes) -DL= Damp location (only MRTN40, MRTH40) ²
Generator unit= MRT	G= Remote AC generator	Blank= Max. 100W	1= 120VAC 2= 277VAC	-2 (LG)= 12V-4W, MR16 LED -2 (LI)= 12V-5W, MR16 LED -2 (LJ)= 12V-6W, MR16 LED -2 (50H)= 50W, high lumen output	-DL= Damp location

Example: MRTM40-2(LJ)-ADNA

¹AD & ADNA include a time delay feature that can be enabled/disabled in the field or set by the factory
²Available on all models except Ni-Cd 100W