

Lux-Ray™ LED Series

Die-cast aluminum LED emergency lighting – interior or exterior



NEMA-3R



Patent-Pending

Housing

- Indoor/outdoor suitable for wet location
- Die-cast aluminum housing
- UV-resistant (3" x 1.5") polycarbonate lens

Mounting

- Wall mount
- 1/2" rigid conduit top entry
- Universal J-box mounting pattern

Lamp type

- Patent-pending light engine: four power LEDs with redundant connections
- 400-640 Lumens
- Color temperature: 5000K
- Optional forward-throw light distribution, for applications of outdoor egress
- Optional high-lumen output Optional dual-mode operation: normal and emergency LED lighting with separate AC inputs

Electronics

- Pulse plus charger
- Low voltage disconnect
- Automatic brownout protection
- Battery lock-out
- Fused output circuit
- Standard Advanced Diagnostics
- 120/277 60Hz

Approval

- UL 924 listed
- NEMA-3R rated for indoor/outdoors cold-weather wet and damp locations: -20 to 40°C (-4 to 104°F)

Warranty

- Unit has a five-year limited warranty
- Detailed warranty terms located on page 178 or online at:
www.emergi-lite.com/usa/files/EL_Warranty.pdf

Power consumption

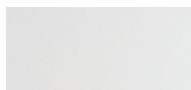
Model	AC Specs: 120/277VAC				
	Normal lighting		Emergency lighting		6-12VDC remote
	Current (max)	Power (max)	Current (max)	Power (max)	Power (max)
AC, 2AC, ACDC, DC (remote)	0.12/0.08A	12W	0.12/0.08A	12W	8W
AC-H, 2AC-H, ACDC-H, DC-H	0.18/0.11A	18W	0.18/0.11A	18W	14W
ACSD, SD, SD-H	0.12/0.06A	12W	0.05/0.02A	12W	-
SD-CW	-	-	0.15/0.07A	16W	-
ACSD-CWP, -CWRC ¹	-	-	0.22/0.10A	24W	-

¹Note: ACSD cold weather models must be powered only from the unswitched emergency AC line

Colors



Black

Dark bronze
(painted)

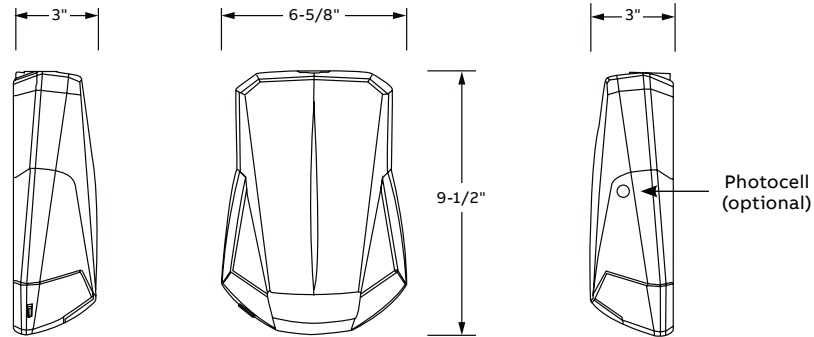
Off-white



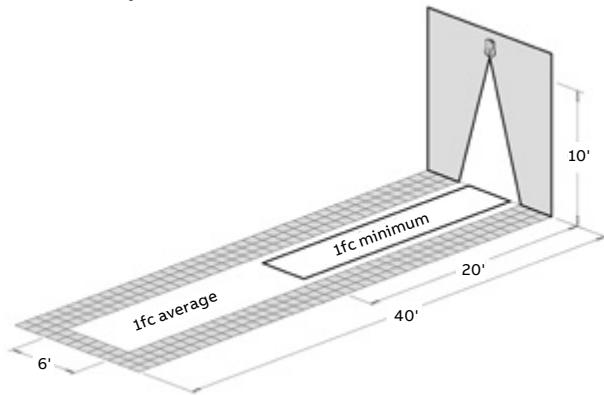
Platinum gray

Dimensions

Dimensions are approximate and subject to change.



Photometric performance – Forward throw



Photometric performance – Wide beam

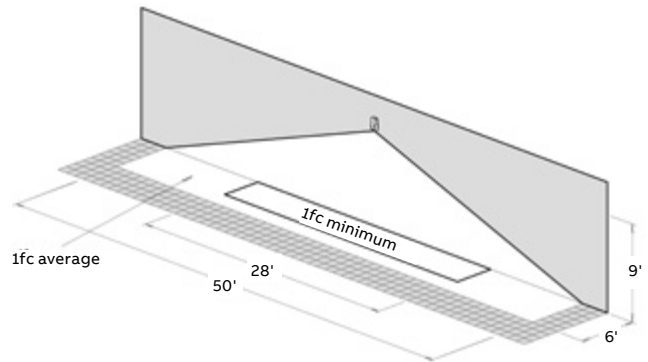


Table A – Spacing for minimum illumination = 1FC (1 foot-candle)

Model type	Mounting height	Lumen	Color temperature	Width X length (ft)	
				Single unit	Center-to-center
Standard	9'	400	5000K	4' x 28'	4' x 32'
With option -H	11'	550		4' x 32'	4' x 40'
With option -FT	12'	460		4' x 22'	-
With option -FTH	15'	640		4' x 27'	-

Table B – Spacing for NFPA101 – Average = 1FC (1 foot-candle)

Model type	Mounting height	Lumen	Color temperature	Width X length (ft)	
				Single unit	Center-to-center
Standard	9'	400	5000K	6' x 50'	4' x 32'
With option -H	11'	550		6' x 60'	4' x 40'
					3' x 70'
With option -FT	12'	460		6' x 40'	-
With option -FTH	15'	640		6' x 50'	-

How to order

Color	Series	Model	Options
B = Black	LUX = Lux-Ray LED	SD = Self-powered & diagnostic [-4-122°F (-20-50°C)] ACSD = Dual-mode AC / self-powered & diagnostic -4-104°F (-20-40°C)	-CW = Cold weather [-40-86°F (-40-30°C) not available with option -H] -D3 = Time delay (15 minutes) -FT = Forward throw lighting -H = High lumen output (max. 86°F/30°C; model SD only) -P = Photocell (ACSD only) -RC = Remote control test switch - infrared ¹
BZ = Dark bronze			
OW = Off-white			
PG = Platinum gray			

Example: BZLUXACSD-RC

¹For ACSD model only, remote control keypad (TB-RC1-E) ordered separately