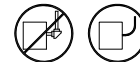


LED Battery Unit

Use Flexible Conduit Only



WARNING:
Risk of Shock.
Disconnect Power before Installation.

IMPORTANT SAFEGUARDS

When using electrical equipment, basic safety precautions should always be followed including the following:

READ AND FOLLOW ALL SAFETY INSTRUCTIONS

1. All servicing should be performed by qualified service personnel.
2. All unused wires must be insulated to prevent shorting.
3. All electrical connections must be in accordance with local codes, ordinances and the National Electric code.
4. Do not use outdoors.
5. Do not let power supply cords touch hot surfaces.
6. Do not mount near gas or electric heaters.
7. Equipment should be mounted in locations and at heights where it will not readily be subjected to tampering by unauthorized personnel.
8. The use of accessory equipment not recommended by the manufacturer may cause an unsafe condition.
9. Do not use this equipment for other than intended use.
10. Use caution when handling batteries.
11. Avoid possible shorting.
12. Allow battery to charge for 24 hours before first use.

SAVE THESE INSTRUCTIONS

Installation Instructions

IMPORTANT: Install product no higher than the maximum mounting height of 9 feet from the floor.

Turn off AC power.

Wall and Ceiling Mount

1. Remove the back plate by holding the unit in both hands and pressing the two snaps located on the bottom of the unit (see figure 1).
2. Remove the appropriate knockouts in the back plate to feed the wires and mount the unit to a junction box.
3. Feed unit wires through the center hole of the back plate and connect AC power supply.
4. Make the proper connections (see figure 4 or 6):
 - a. For 120VAC, connect the black wire (120Vac) and white wire (neutral) to the building utility.
 - b. For 277VAC, connect the red wire (277Vac) and white wire (neutral) to the building utility.
 - c. Feed wires back into the junction box.
5. For units with remote heads: refer to the section "Connecting remote heads".
6. Connect battery connector (see figure 3).
7. Mount and secure the back plate to the junction box.
8. Align the snaps and push the housing directly onto the back plate. Pull on the housing lightly to ensure the unit is secured in place.
9. Restore power and press the test button. Lamps heads will turn on.
10. Adjust the lamp head direction as needed.

Wall mount Conduit entry

1. Remove the back plate by holding the unit in both hands and pressing the two snaps located on the bottom of the unit (see figure 2).

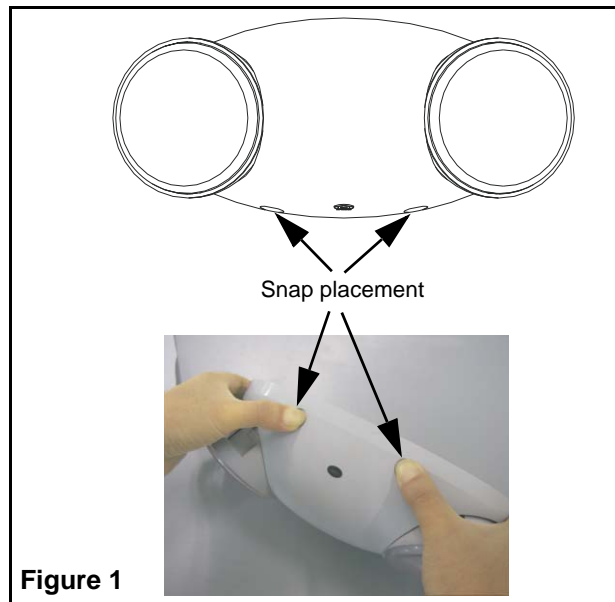


Figure 1



Figure 2

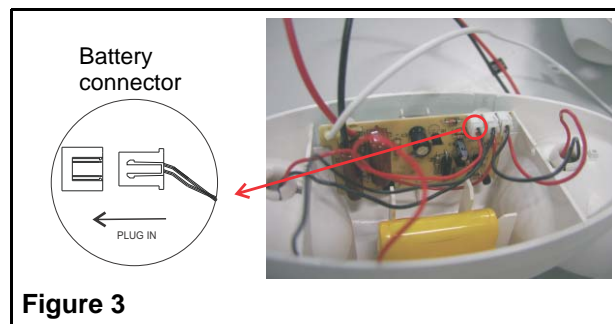


Figure 3

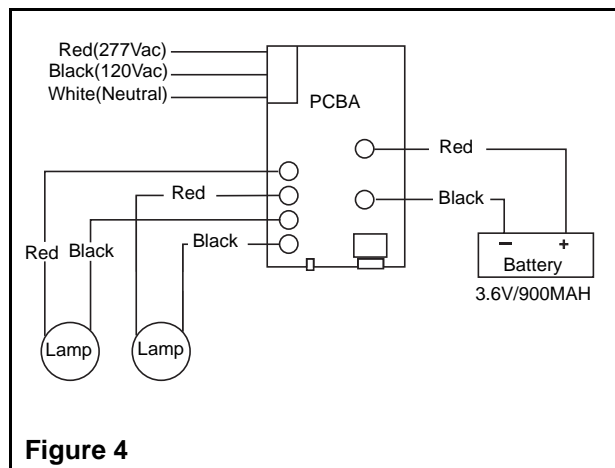


Figure 4

2. Remove keyhole knockouts on the back plate and mount to the wall.
3. Secure conduit to knockout and feed wires into the fixture.
4. Refer to sections 4 to 10 above to complete the installation.

Connecting Remote Heads

Connect the Black and Red from the PCBA to the remote lamps (see figure 6).

Unit testing

Manual test without automatic testing and diagnostics

Allow the unit to charge for 24 hours before testing. Press the test switch, the emergency lamps will illuminate. When the switch is released, the lamps will turn OFF.

Automatic Testing and diagnostics (option)

Once the unit is properly installed according to the installation instruction sheet and AC power supplied it will come ON. The dual color LED indicator will also come ON and the self-diagnostic test function will automatically initiate. The LED indicator points out the current unit status. A STEADY GREEN on the LED indicates a normal service; BLINKING GREEN indicates that the unit is in testing mode; GREEN/RED FLASHING indicates that the battery is charging; RED (in different combinations) would indicate a fault or a service alert. Refer to the Fault Indication table below for more details. The indicator would be OFF when the unit is in emergency mode.

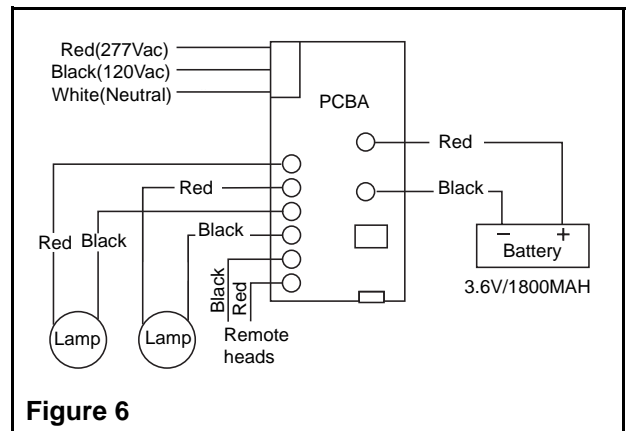
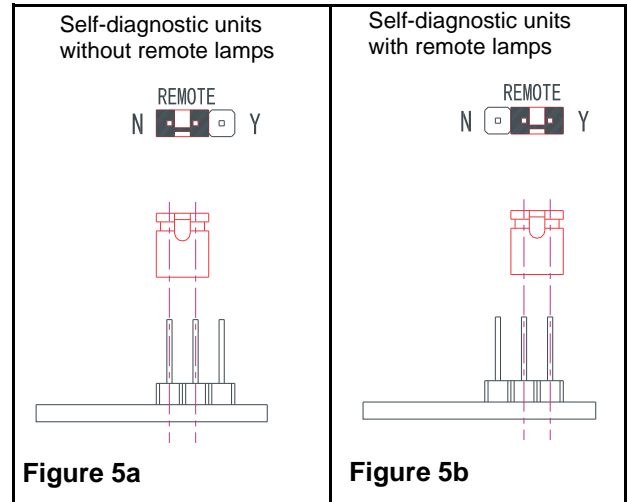
Self-Diagnostic

For self-diagnostic units without remote lamps: connect the terminal as shown in figure 5a.

For self-diagnostic units with remote lamps: connect the terminal as shown in figure 5b.

The self-diagnostic function is factory preset without any allowable field adjustment. The automatic self-diagnostic feature serves the following tests

- a. On-line real time monitoring of battery and lamps (both local and remote): identifies battery charging, disconnection and failure along with local and remote lamp failures.
- b. Self-testing and a 15-minute discharge once in every 30 days, after AC power has been supplied for a minimum of 24hrs.
- c. Self-testing and a 90-minute discharge once in every year, after AC power has been supplied for a minimum of 24hrs.



Maintenance

None required. Replace the batteries as needed according to ambient conditions. Equipment must be tested regularly in accordance with local codes.

This unit comes with a (3) three year limited warranty.

FAULT INDICATION TABLE	
Fault Descriptio	LED Indication
Battery disconnection	Steady Red
Battery recharge failure	Flashing Red
Battery failure	Red blinking (2 times)
LED failure (EXIT only)	Red blinking (3 times)
Local lamp failure (Emergency lights only)	Red blinking (4 times)
Remote lamp failure (Emergency lights only)	Red blinking (5 times)

Manual testing for self-diagnostic units

The unit also provides for manual testing by pushing the test button in a specific pattern. The different patterns and the resulting tests are listed in the table below.

Action	Reaction & LED indication
Push test button once (within 2 seconds)	30-second test: Flashing green
Push test button twice (within 2 seconds)	15-minute test: Green blinking twice
Push test button three times (within 2 seconds)	90-minute test: Green blinking three times