

Premier™ Series

Designed with aesthetics, ease of installation and performance in mind



Housing

- White or black UV stabilized thermoplastic enclosure
- Clear polycarbonate lens covers
- Choice of MR16 LED lamp wattages

Mounting

- Wall mount, ceiling mount and pendant mount (optional)
- Universal J-box mounting

Electronics

- Pulse plus charger
- Low voltage disconnect
- Automatic brownout protection
- Battery lock-out
- Fused output circuit
- Optional Advanced Diagnostics
- Optional Nexus® monitoring system
- 120/277 60Hz

Choice of battery

- 6V or 12V lead-calcium battery
- 6V or 12V nickel-cadmium battery

Approvals

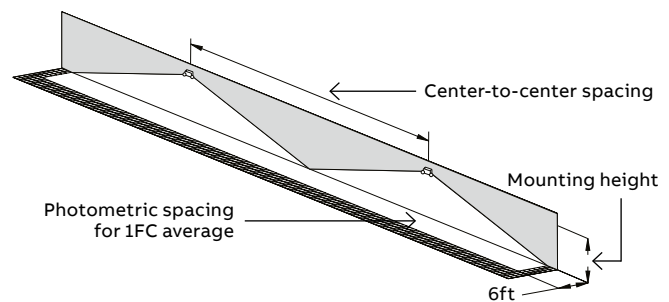
- UL 924 listed
- UL 94, 5VA flame rated thermoplastic housing
- Damp location optional (50°F to 104°F)

Warranty

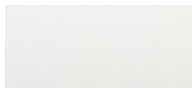
- Unit has a five-year warranty
- Detailed warranty terms located on page 178 or online at:
www.emergi-lite.com/usa/files/EL_Warranty.pdf

Photometric performance

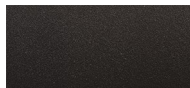
Lamp	Spacing center-to-center (feet)	
	7' mounting height	15' mounting height
LA	39'	34'
LB	74'	57'
LG	49'	39'
LI	68'	54'
LJ	89'	80'



Housing color



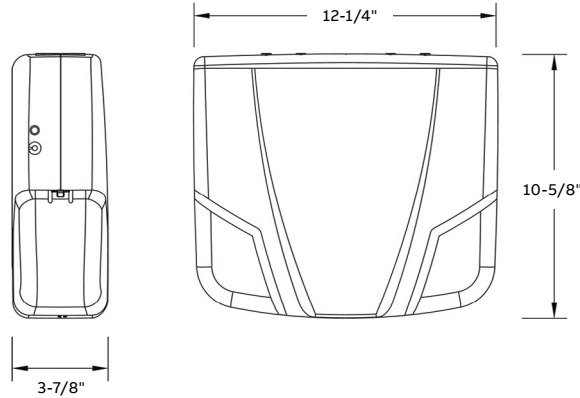
White



Black

Dimensions

Dimensions are approximate and subject to change.



Wire guards

Catalog number	Mounting
WG1-E	Wall mount
WG5-E	Ceiling mount

Power consumption and unit rating

Model	AC specs	Battery capacity in watts			
		1-1/2 hrs	2 hrs	3 hrs	4 hrs
60M	6V	60	40	30	20
40M	12V	40	30	20	15
72M	12V	72	54	36	27
20NC	6V	20	15	10	8
40NC	12V	40	30	20	15

How to order

Housing color	Series/capacity	# of lamps	Lamp type/wattage	Unit type	Options
Blank= White B= Black	Lead-calcium PR60M= 6V-60W lead-calcium ¹ 12PR40M= 12V-40W lead-calcium 12PR72M= 12V-72W lead-calcium Nickel-cadmium PR20NC= 6V-20W nickel-cadmium 12PR40NC= 12V-40W nickel-cadmium	Blank= No head 2= 2 heads	LA= 6V-4W, MR16 LED LB= 6V-5W, MR16 LED LG= 12V-4W, MR16 LED LI= 12V-5W, MR16 LED LJ= 12V-6W, MR16 LED	Blank= Standard -D= Advanced Diagnostics (non-audible) ² -DA= Advanced Diagnostics (audible) ² -NEX= Nexus® wired (contact your sales representative) ² -NEXRF= NEXUS® wireless (contact your sales representative) ²	Blank= No option -CM= Ceiling mount -D3= Time delay (15 minutes) -DL= Damp location ³ 50°F to 104°F (10°C to 40°C) maximum 12W per head -PM= Pendant mount

Example: PR60M2LA

¹Not available with damp location

²Minimum lamp load required: 20% of unit capacity

³Not available with -AD, ADNA, NEX and NEXRF