

Surface Mounted EF10 & EF10D Series

Thermoplastic MR16 lamp head



Description

- Indoor use
- Available as a single, double or triple head
- Thermoplastic construction
- Snap-out lens for easy lamp replacement

Finish

- Off-white or black

Lamp type

- Choice of MR16 LED lamp wattages

Mounting

- Surface mount
- Universal J-box mounting

Approval

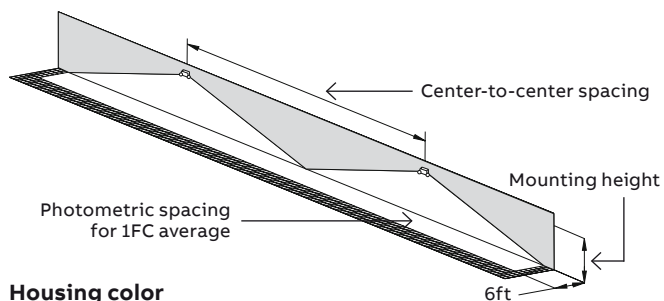
- UL 924 listed

Warranty

- Unit has a three-year limited warranty
Detailed warranty terms located on page 178 or online at:
www.emergi-lite.com/usa/files/EL_Warranty.pdf

Photometric performance

Lamp	Spacing center-to-center (feet)	
	7' mounting height	15' mounting height
LA	43'	36'
LG	55'	43'
LI	71'	56'
LJ	100'	85'
LL	56'	44'



Housing color

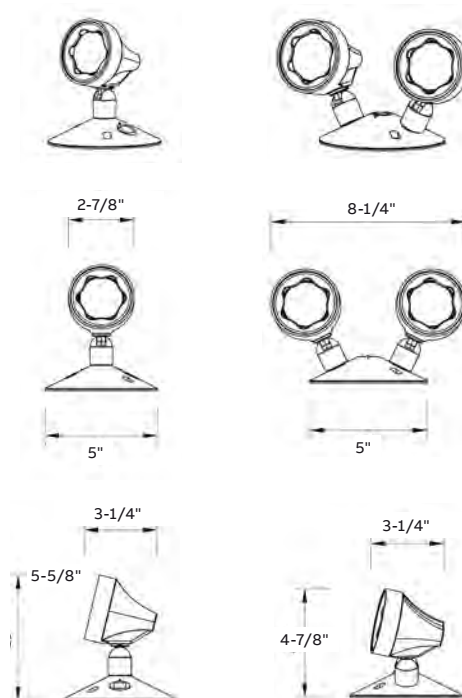


Off-white

Black

Dimensions

Dimensions are approximate and subject to change.



How to order

Series	# of heads	Lamp type/ wattage	Color		
EF10= remote	MR16	Blank= Single head	(LA)= 6V-4W, MR16 LED	Blank= Off-white	
	PAR18	D= Double head	(LG)= 12V-4W, MR16 LED		
	remote head	T= Triple head	(LI)= 12V-5W, MR16 LED	(LJ)= 12V-6W, MR16 LED	BK= Black
				(LL)= 24V-4W, MR16 LED	

Example: EF150D-B(MK)