

Eclipse™, Provider™ and Retract-a-Lite™ Series

Remote Fixtures



Create a family look for emergency lighting layouts with these remote fixtures

Keep your remote emergency lighting fixtures all in the family with these remote versions of three of our most popular decorative battery units.

Eclipse™ Series (R-ECL)

The Eclipse™ Series remote emergency lighting fixture features a contemporary, elegant design in a compact thermoplastic housing. Attractive and versatile, the Eclipse™ Series fixtures can be mounted in any orientation on walls and ceilings and are ideally suited for commercial or architectural applications requiring versatile, yet fast, installation.

Provider™ Series (R-CPRO)

The Provider™ Series remote emergency lighting fixture combines a sleek, low profile body design and transparent light shield with a complete package of high performance features and options. The Provider™ is ideally suited for any commercial application requiring high performance in an attractive, modern package.

Retract-a-Lite™ Series (Remote RTL)

The Retract-a-Lite™ remote emergency lighting fixture uses recessed cabinetry to conceal all internal components within wall or ceiling cavities, remaining almost invisible until needed. When AC fails and the lights go out, the Retract-a-Lite™ unit emerges, illuminating the path to safety. Ideally suited for any environment where aesthetics are a prime consideration.

N.B.: All of these remote emergency lighting units require an external DC source. For self-powered units, please refer to "Battery Units" section.



Project/Location:

Date:

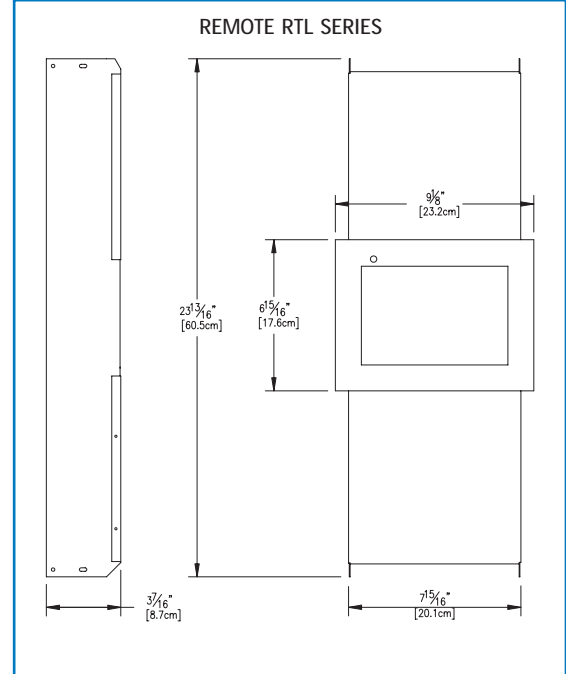
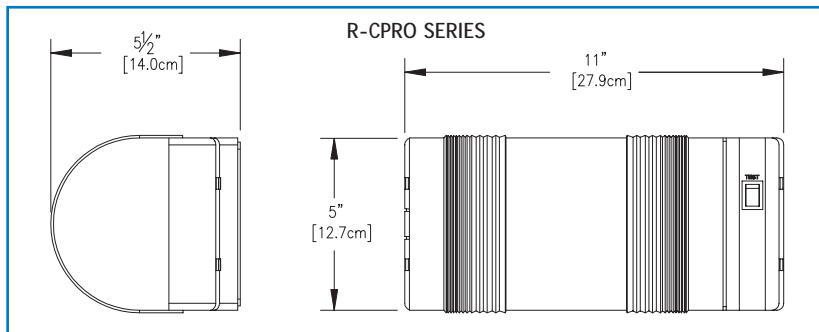
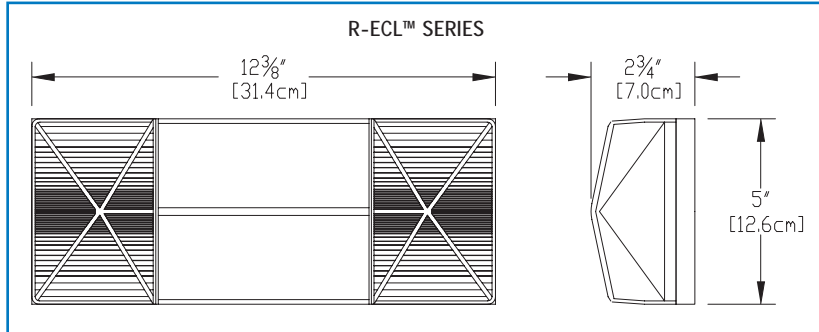
C A PM I LS

Contractor:

Prepared by:

Eclipse™, Provider™ and Retract-a-Lite™ Series

Dimensions



Ordering Information

R-ECL



Series	Options	Lamp Type/Voltage/Wattage
R-ECL-2= remote fixture	Blank= no options	-6= 6V - 7.2 watts, tungsten, wedge base
	VR= vandal resistant screws	-12= 12V - 7.2 watts, tungsten, wedge base
		-24= 24V - 9 watts, tungsten, wedge base **
		** Not CSA approved

EXAMPLE: R-ECL-2VR-6

R-CPRO



Series	Special Options	Colour	Lamp Type/Voltage/Wattage
R-CPRO-2= remote fixture	Blank= standard	Blank= factory white	-6= 6V - 7.2 watts, tungsten, wedge base
	VR= vandal resistant screws	-BK= black	-12= 12V - 7.2 watts, tungsten, wedge base
			-24= 24V - 9 watts, tungsten, wedge base **
			** Not CSA approved

EXAMPLE: R-CPRO-2VR-6

Remote RTL



Series	Lamp Type/Voltage/Wattage	A.C. Input Voltage	Options	Standard
12RTL2= 12 volts remote	-12= 12 watts, MR16 (12V only)	Blank= 120/347 (standard)	Blank= no options	-C= standard
24RTL2= 24 volts remote	-20= 20 watts, MR16		LBB= less backbox	canadian version
	-35= 35 watts, MR16			
	-50= 50 watts, MR16			

EXAMPLE: 12RTL2-35-C